

Installation

#####

SONY®

3-858-022-21 (1)

Precautions

- Choose the installation location carefully so that the unit will not hamper the driver during driving.
- Avoid installing the unit where it would be subject to high temperatures, such as from direct sunlight or hot air from the heater, or where it would be subject to dust, dirt or excessive vibration.
- Use only the supplied mounting hardware for a safe and secure installation.

Mounting angle adjustment

Adjust the mounting angle to less than 20°.

#####

- ####
- ####
- ####
- ####

####

###

How to Detach and Attach the Front Panel

Before installing the unit, detach the front panel.

To detach

Press the RELEASE button to open up the front panel, then pull it out. Then slide the front panel a little to the left, and pull it off towards you.

To attach

Align the parts (A) and (B), and push the front panel until it clicks.

#####

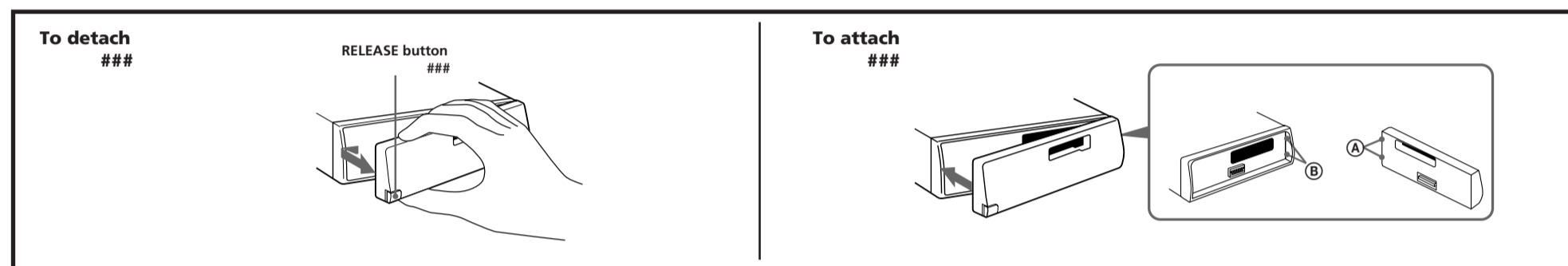
###

###

###

####

###

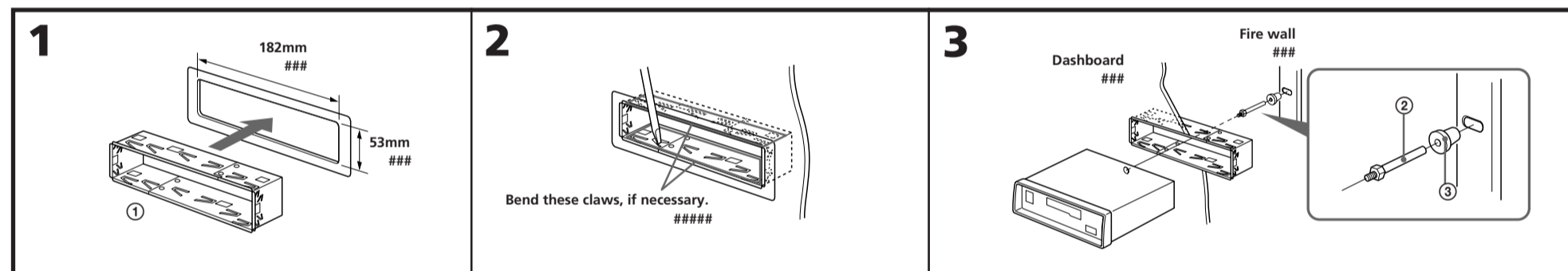


Mounting Example

Installation in the dashboard

#####

###



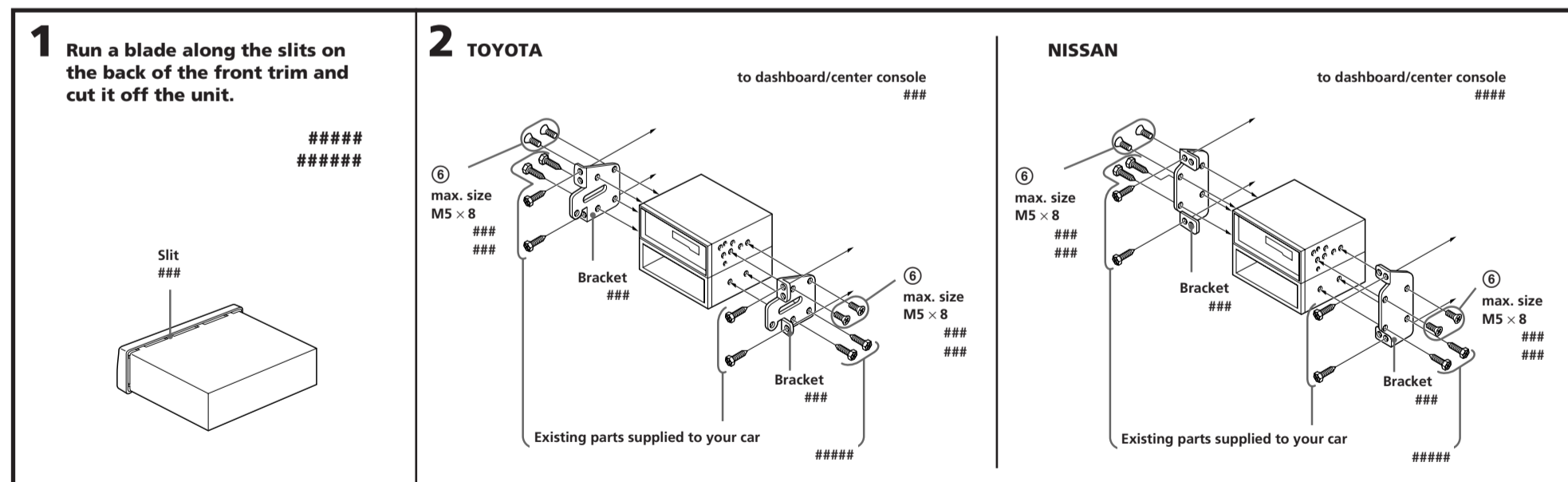
Mounting the Unit in a Japanese Car

This unit may not be installed in some makes of cars. In this case, consult your nearest Sony dealer.

####

#####

###



FM/MW/SW Cassette Car Stereo

Installation/Connections

####/###

XR-3304

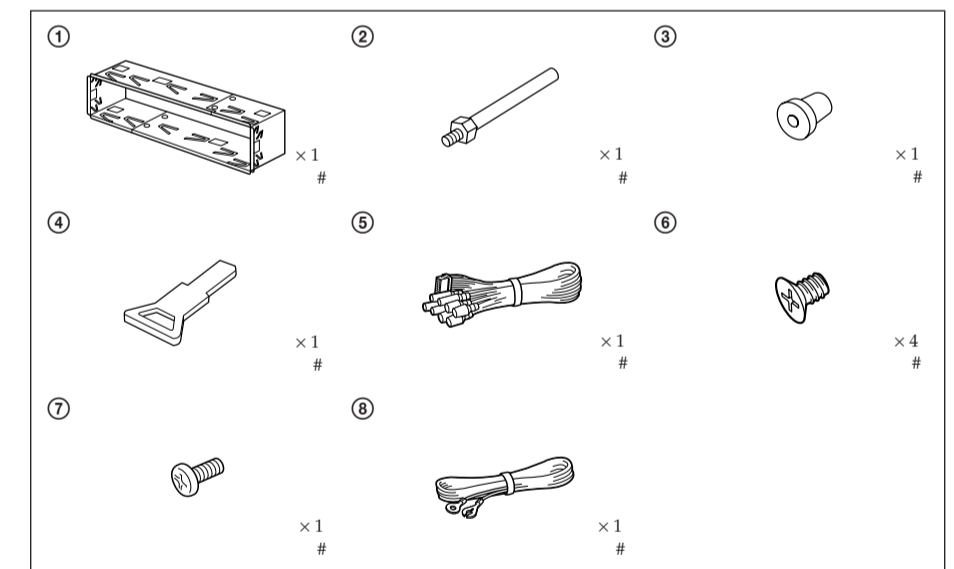
Sony Corporation © 1996 Printed in Singapore

Parts for Installation and Connection

The numbers in the list are keyed to those in the instructions.

#####

#####



The release key (2) is used for dismounting the unit. See the operating instructions manual for details.

#####

Connections

####

Caution

- This unit is designed for negative ground 12 V DC operation only.
- Before making connections, disconnect the ground terminal of the car battery to avoid short circuits.
- Connect the **yellow** and **red** power input leads only after all other leads have been connected.
- Be sure to connect the red power input lead to the positive 12 V power terminal which is energized when the ignition key is in the accessory position.
- **Run all earth wires to a common earth point.**

#####

- #####
- #####
- #####
- #####
- #####

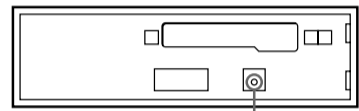
Reset Button

When the installation and connections are over, be sure to press the reset button with a ball-point pen etc.

####

###

####



Reset button
####

Note for Connecting

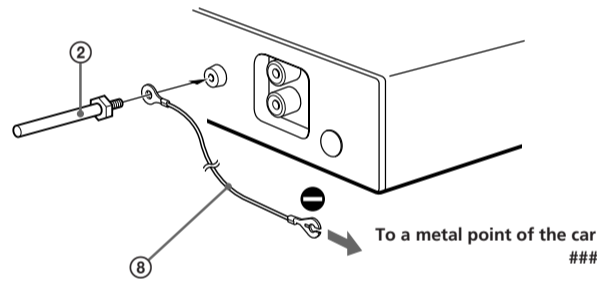
If there is alternator noise (a whining sound when raising engine speed), earth the master unit by connecting it to a metal point of the car with the supplied chassis earth cord ⑧. Connect the ground cord to the master unit with part ② as shown in the illustration. (In case you do not use part ②, take screw ⑦ instead.)

###

###

###

###



To a metal point of the car
###

Connection Example

#####

