

Installation

#####

SONY®

3-858-022-41 (1)

Precautions

- Choose the installation location carefully so that the unit will not hamper the driver during driving.
- Avoid installing the unit where it would be subject to high temperatures, such as from direct sunlight or hot air from the heater, or where it would be subject to dust, dirt or excessive vibration.
- Use only the supplied mounting hardware for a safe and secure installation.

Mounting angle adjustment

Adjust the mounting angle to less than 20°.

#####

- #####
- #####
- #####
- #####

####

###

How to Detach and Attach the Front Panel

Before installing the unit, detach the front panel.

To detach

Press the RELEASE button to open up the front panel, then pull it out. Then slide the front panel a little to the left, and pull it off towards you.

To attach

Align the parts ④ and ⑥, and push the front panel until it clicks.

#####

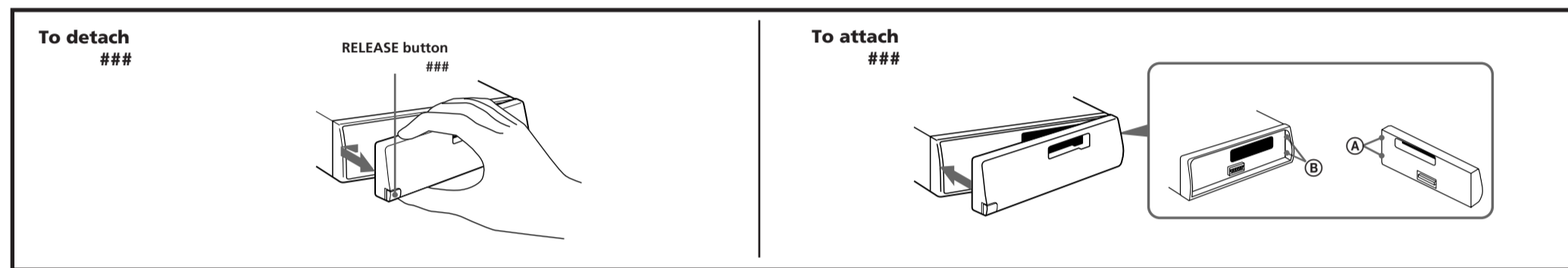
###

###

###

####

###

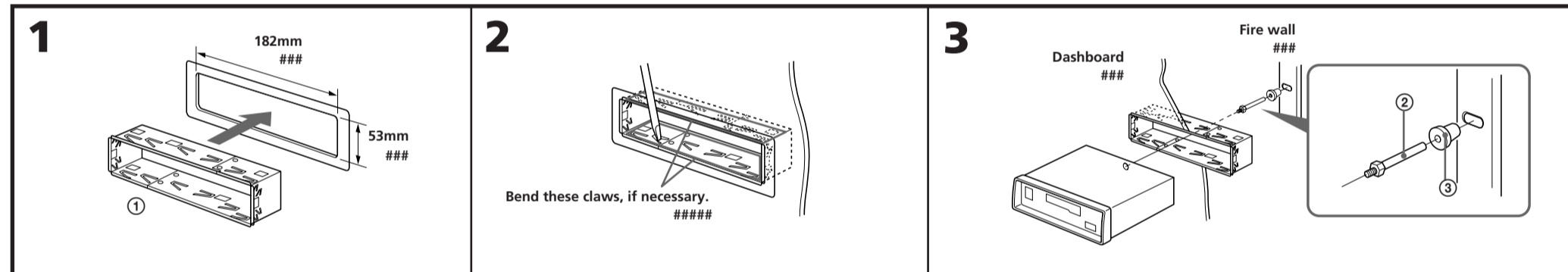


Mounting Example

Installation in the dashboard

#####

###



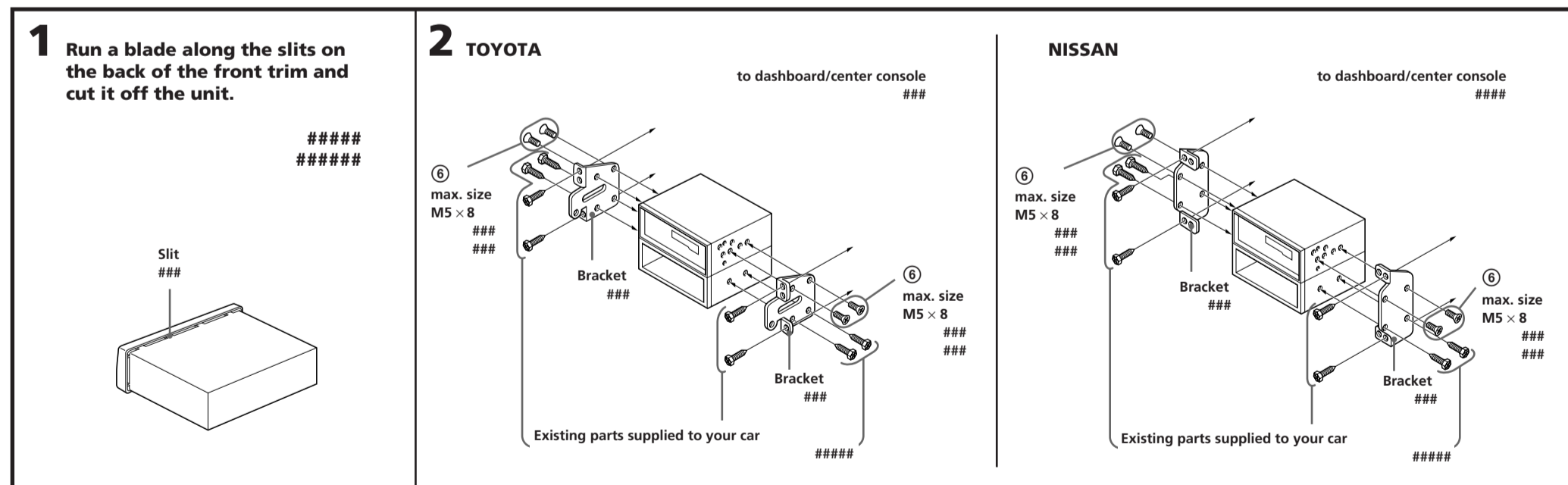
Mounting the Unit in a Japanese Car

This unit may not be installed in some makes of cars. In this case, consult your nearest Sony dealer.

####

#####

###



FM/MW/SW Cassette Car Stereo

Installation/Connections

#####

XR-3304

Sony Corporation © 1996

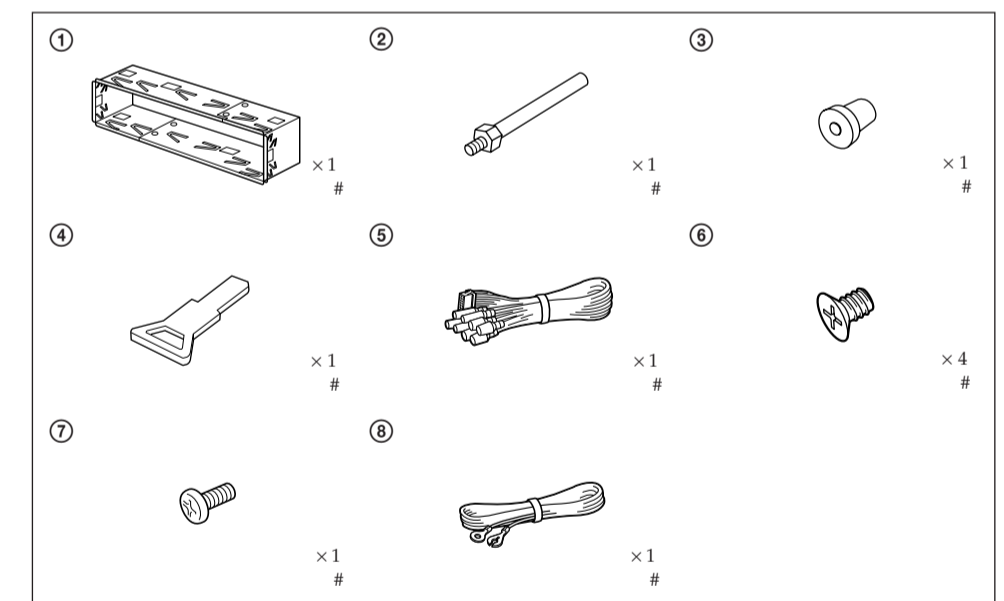
Parts for Installation and Connection

The numbers in the list are keyed to those in the instructions.

|||

####

#####



The release key ④ is used for dismantling the unit. See the operating instructions manual for details.

#####