

SONY[®]

3-859-117-31(2)

CD Radio Cassette-Corder

Operating Instructions page 2^{EN}

EN

Bedienungsanleitung Seite 2^D

D

*CFD-V20
CFD-V30
CFD-V30L*

©1996 by Sony Corporation



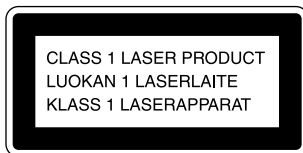
Warning

To prevent fire or shock hazard, do not expose the player to rain or moisture.

To avoid electrical shock, do not open the cabinet. Refer servicing to qualified personnel only.

Information

For customers in Europe



This Compact Disc player is classified as a CLASS 1 LASER product.

The CLASS 1 LASER PRODUCT label is located on the bottom exterior.

WARNING

Do not install the appliance in a confined space, such as a bookcase or built-in cabinet.

The FUNCTION selector is located at the front.

When you turn on the player, the OPR/BATT indicator lights up.

About this manual

The instructions in this manual are for the CFD-V20, CFD-V30 and CFD-V30L. Before you start reading, check your model number. The CFD-V20 is the model used for illustration purpose.

Notice for customers in the United Kingdom

A moulded plug complying with BS 1363 is fitted to this equipment for your safety and convenience.

Should the fuse in the plug supplied need to be replaced, same rating fuse approved by ASTA or BSI to BS 1362, (i.e. marked with ⚡ or ⚡ mark) must be used.

If the plug supplied with this equipment has a detachable fuse cover, be sure to attach the fuse cover after you change the fuse. Never use the plug without the fuse cover. If you should lose the fuse cover, please contact your nearest Sony service station.

Table of contents

Basic Operations

- 4 Playing a CD
 - 6 Listening to the radio
 - 8 Playing a tape
 - 10 Recording on a tape
-

The CD Player

- 12 Using the display
- 13 Locating a specific track
- 14 Playing tracks repeatedly (Repeat Play)
- 15 Creating your own program (Program Play)

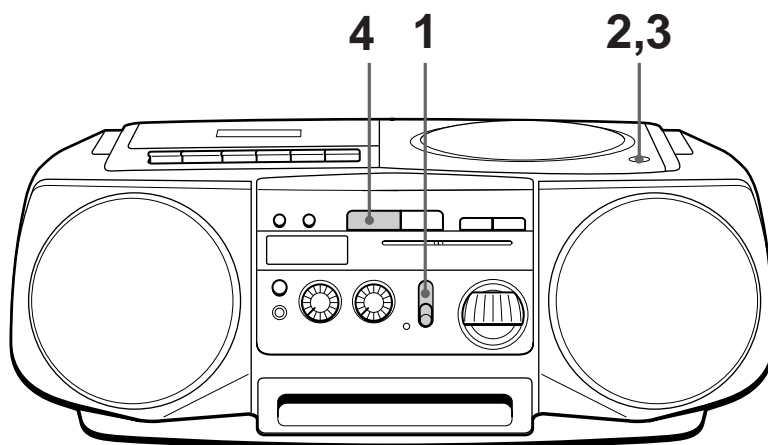
Setting Up

- 16 Choosing the power sources
- 18 Adjusting the sound emphasis (TONE/MEGA BASS)

Additional Information

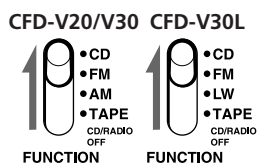
- 19 Precautions
- 21 Troubleshooting
- 23 Maintenance
- 24 Specifications
- 25 Index

Playing a CD

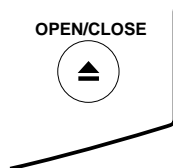


Connect the supplied AC power cord (see page 16).

1 Set FUNCTION to CD.

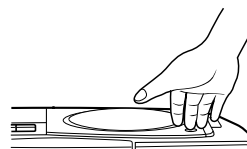
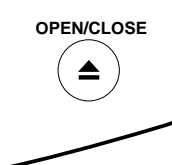


2 Press ▲OPEN/CLOSE down to open the CD compartment and place a CD on the CD compartment.



With the label side up

3 Close the CD compartment.



4



Press **▶||**.

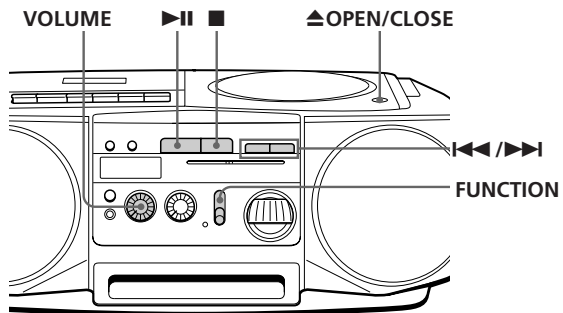
The player plays all the tracks once.

Display



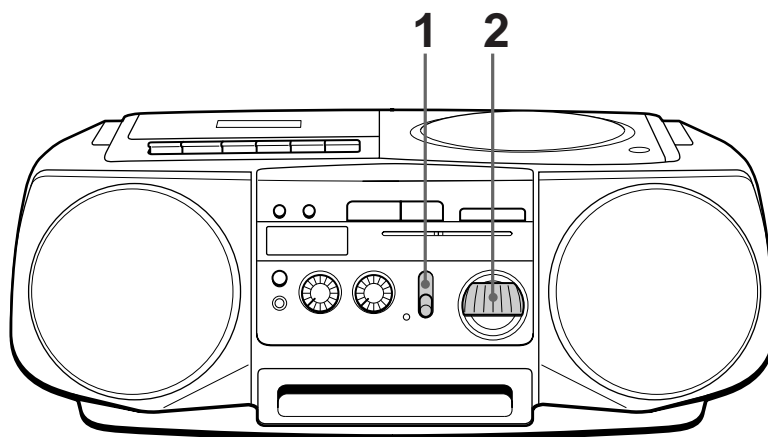
Track number Playing time

Use these buttons for additional operations



To	Do this
Adjust the volume	Turn VOLUME.
Stop playback	Press ■ .
Pause playback	Press ▶ . Press again to resume play after pause.
Go to the next track	Press ▶▶ .
Go back to the previous track	Press ◀◀ .
Remove the CD	Press ▲OPEN/CLOSE .
Turn off the player	Set FUNCTION to TAPE (CD/RADIO OFF).

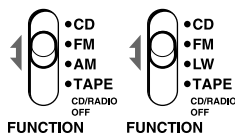
Listening to the radio



Connect the supplied AC power cord (see page 16).

1

CFD-V20/V30 CFD-V30L



Select the band (CFD-V20/V30: FM or AM, CFD-V30L: FM or LW).

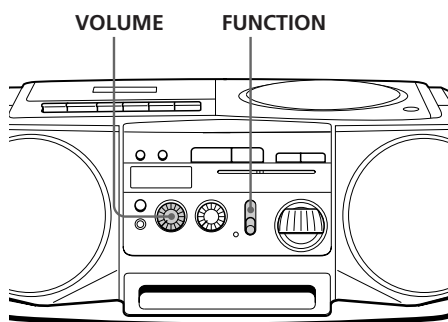
2



Turn TUNE to tune in a radio station.

If the received FM stereo is too weak, the reception becomes monaural.

Use these buttons for additional operations



Tip

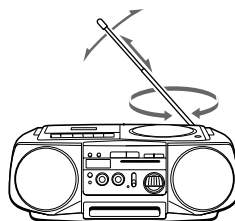
To receive an FM stereo program (only for the models equipped with FM MODE/ISS selector at the rear)

Set the FM MODE/ISS selector at the rear to STEREO. If the FM broadcast is noisy, set the selector to MONO and the radio will play in monaural.

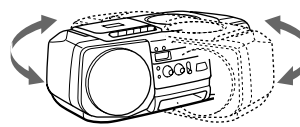
To	Do this
Adjust the volume	Turn VOLUME.
Turn off the radio	Set FUNCTION to TAPE (CD/RADIO OFF).

To improve broadcast reception

Reorient the antenna for FM. Reorient the player itself for AM/LW.

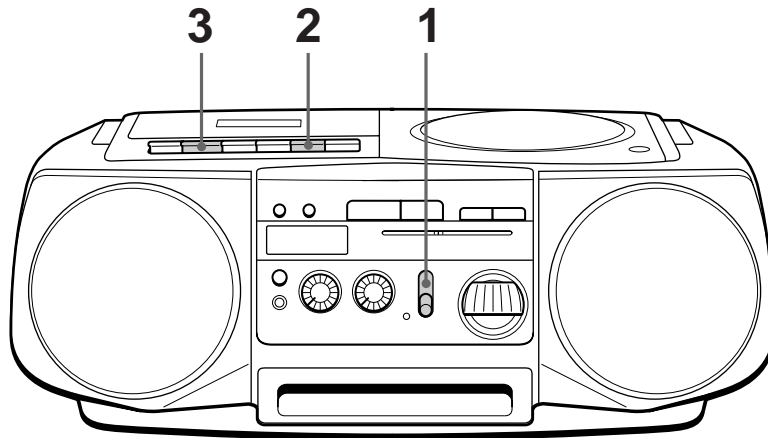


For FM



For AM/LW

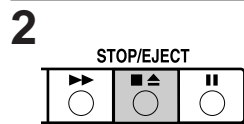
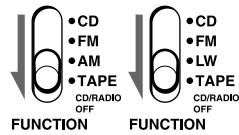
Playing a tape



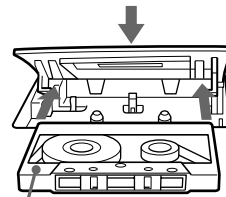
Connect the supplied AC power cord (see page 16).

1 CFD-V20/V30 CFD-V30L

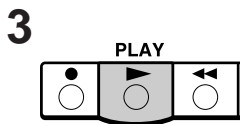
Set FUNCTION to TAPE (CD/
RADIO OFF).



Press to open the tape compartment and insert a recorded tape. Use TYPE I (normal) tape only. Close the compartment.

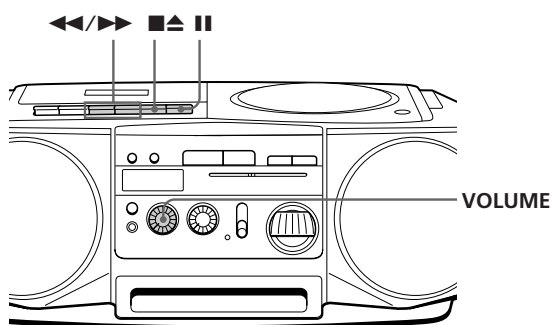


With the side you want to play facing upward



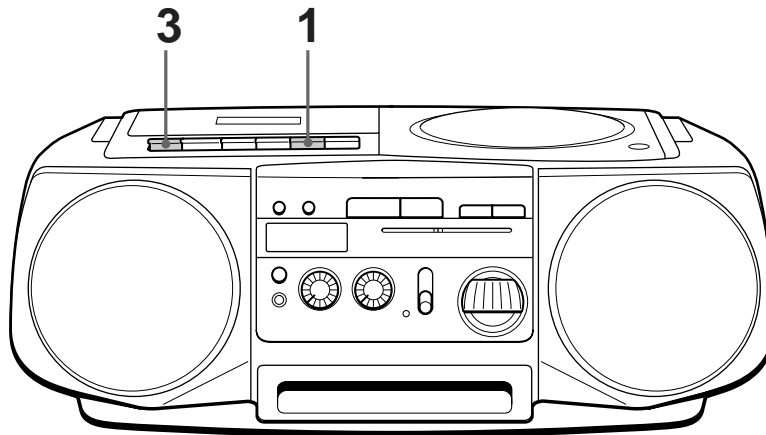
Press .

Use these buttons for additional operations



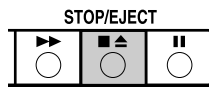
To	Do this
Adjust the volume	Turn VOLUME.
Stop playback	Press ■▲.
Fast-forward or rewind the tape	Press ►► or ◀◀ for the side facing upward.
Pause playback	Press . Press the button again to resume play after pause.
Eject the cassette	Press ■▲.

Recording on a tape

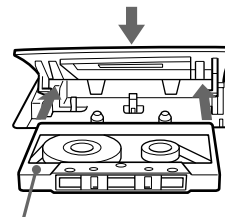


Connect the supplied AC power cord (see page 16).

1



Press to open the tape compartment and insert a blank tape. Use TYPE I (normal) tape only.



With the side you want to record on facing upward

2

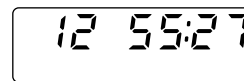
CFD-V20/V30 CFD-V30L



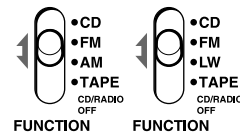
Select the program source you want to record.

To record from the CD player, set FUNCTION to CD and insert a CD (see page 4).

Display

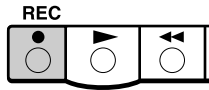


CFD-V20/V30 CFD-V30L



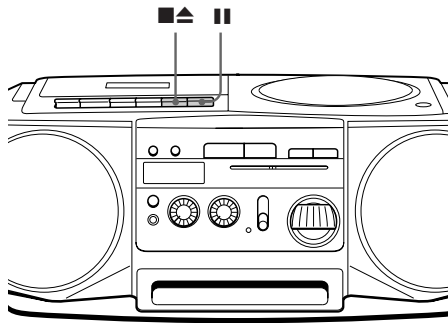
To record from the radio, select the band and tune in the station you want (see page 6).

3



Press ● to start recording. (▶ is depressed automatically).

Use these buttons for additional operations



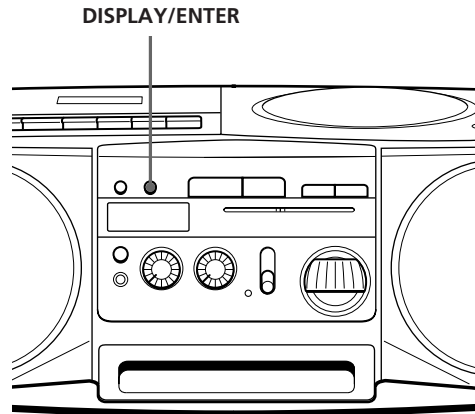
Tips

- Adjusting the volume or the tone will not affect the recording level.
- If the AM/LW program makes a whistling sound after you've pressed ● in step 3, set the FM MODE/ISS (Interference Suppress Switch) at the rear to the position that most decreases the noise. (only for the models equipped with FM MODE/ISS selector at the rear)
- For the best results, use the AC power as a power source for recording.
- To erase a recording, proceed as follows:
 - 1 Set FUNCTION to TAPE (CD/RADIO OFF).
 - 2 Press ●.

To	Press
Stop recording	■▲.
Pause recording	. Press the button again to resume recording.

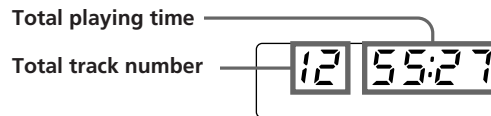
Using the display

You can check information about the CD using the display.



Checking the total track number and playing time

Check the display in stop mode.



Checking the remaining time

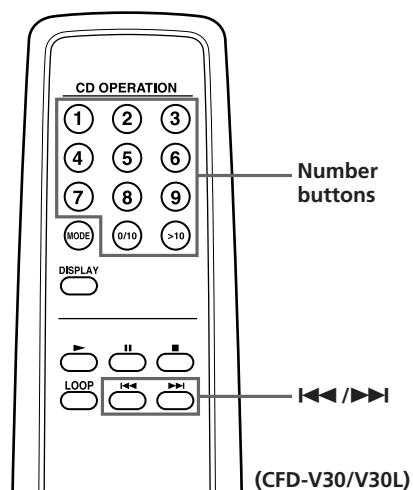
Press DISPLAY/ENTER while playing a CD.

To display	Press DISPLAY/ENTER
Remaining time on the current track*	Once
Remaining time on the CD and the number of tracks left	Twice
Playing time and the current track number	Three times

* For a track whose number is more than 20, the remaining time appears as "--:--" in the display.

Locating a specific track

You can quickly locate any track using the number buttons (CFD-V30/V30L only). You can also find a specific point in a track while playing a CD.



The CD Player

Note

CFD-V30/V30L only:
You cannot locate a specific track if "PGM" or "SHUF REP" is lit in the display. Turn off the indication by pressing ■.

Tip

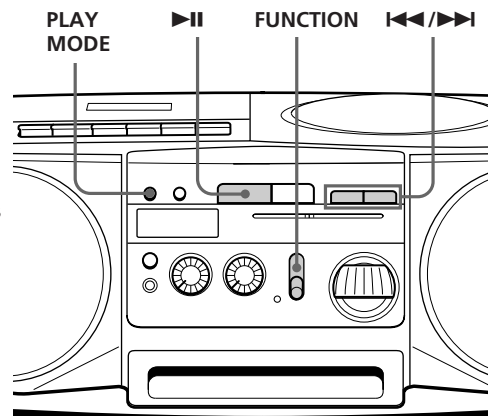
CFD-V30/V30L only:
When you locate a track numbered over 10, press >10 first, then the corresponding number buttons.
Example:
To play track number 23, press >10 first, then 2 and 3.

To locate	Press
a specific track directly (<i>CFD-V30/V30L only</i>)	a number button of the track.
a point while listening to the sound	▶▶ (forward) or ◀◀ (backward) while playing and hold down until you find the point.
a point while observing the display	▶▶ (forward) or ◀◀ (backward) in pause and hold down until you find the point.

Playing tracks repeatedly

(Repeat Play)

You can play tracks repeatedly in normal, shuffle or program play modes (see page 15).



Tip

CFD-V30/V30L only:

To enjoy a short repeat play, use LOOP on the remote.

As soon as you press and hold LOOP during play, the player starts a loop play of the part between the point where you pressed LOOP and a point about a second behind. When you release LOOP, the player returns to normal play.

- 1 Set FUNCTION to CD.
- 2 Press PLAY MODE until the repeat mode you want appears in the display.

To repeat	Select
a single track	REP 1
all tracks	REP ALL
tracks in random order	SHUF REP
programed tracks	PGM REP

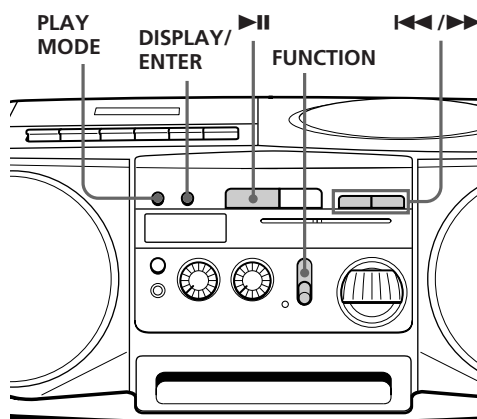
- 3 Do either of the following to start repeat play:
 - **When you've selected REP1**, select the track by pressing the **◀◀** or **▶▶** and press **▶▶**.
 - **When you've selected REP ALL and SHUF REP**, press **▶▶**.
 - **When you've selected PGM REP**, program tracks (see step 3 on page 15), then press **▶▶**.

To cancel Repeat Play

Press PLAY MODE until "REP" disappears from the display.

Creating your own program (Program Play)

You can arrange the playing order of the tracks on a CD.

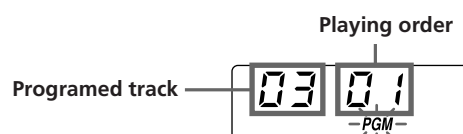


The CD Player

Tips

- *CFD-V30/V30L only:*
To create your own program on the remote, proceed as follows:
 - 1 Set FUNCTION to CD.
 - 2 Press MODE until "PGM" appears in the display.
 - 3 Press the number buttons on the remote for the tracks you want to program in the order you want.
 - 4 Press ►.
- You can play the same program again, since the program is saved until you open the CD compartment or switch FUNCTION.
- The current program will be erased if you switch FUNCTION or open the CD compartment.
- You can record your own program. After you've created the program, insert a blank tape and press ● to start recording.

- 1 Set FUNCTION to CD.
- 2 Press PLAY MODE until "PGM" appears in the display.
- 3 Press the ◀◀ or ▶▶ then press DISPLAY/ENTER for the tracks you want to program in the order you want. You can program up to 20 tracks.



- 4 Press ►► to start program play.

To cancel Program Play

Press PLAY MODE until "PGM" disappears from the display.

To check the order of tracks before play

Press DISPLAY/ENTER.

Every time you press the button, the track number appears in the programmed order.

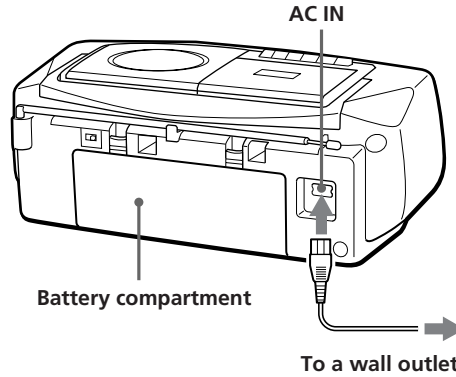
To change the current program

Press ■ once if the CD is stopped and twice if the CD is playing. The current program will be erased. Then create a new program following the programming procedure.

Choosing the power sources

You can use the AC power or batteries as a power source.

Use the AC power source whenever you record since recording consumes much power.



Tip

Only for the customers supplied with an AC plug adaptor:

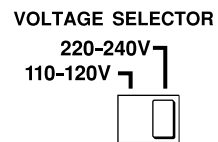
Use the supplied AC plug adaptor if the plug of the AC power cord does not match your outlet.

Connecting the AC power cord

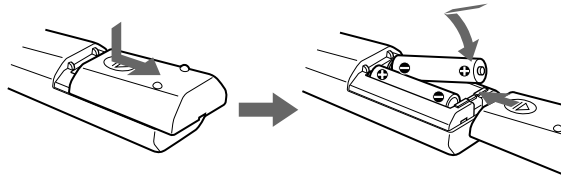
Insert one end of the supplied AC power cord to the AC IN socket located at the rear of the player, and the other end to the wall outlet.

Adjusting the voltage (only for the models equipped with the VOLTAGE SELECTOR at the bottom)

Be sure to set the VOLTAGE SELECTOR (at the bottom) to your local power supply.



CFD-V30/V30L only: Inserting batteries into the remote



Insert two R6 (size AA) batteries (not supplied)

Replacing batteries

With normal use, the batteries should last for about six months. When the remote no longer operates the player, replace all the batteries with new ones.

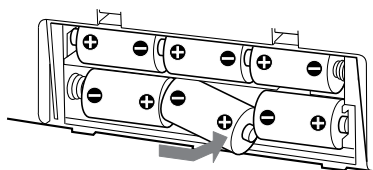
Tip

Replace the batteries when the OPR/BATT indicator dims or when the player stops operating. Replace all the batteries with new ones. Before you replace the batteries, be sure to take out the CD from the player.

Using the player on batteries

Insert six R20 (size D) batteries (not supplied) into the battery compartment.

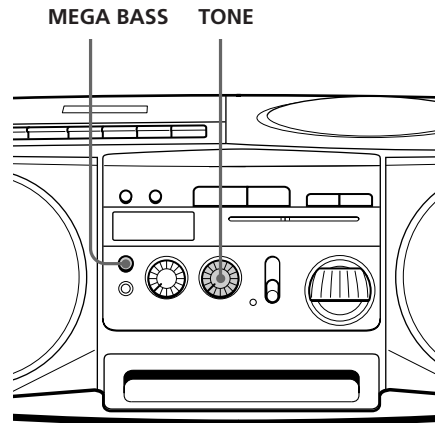
To use the player on batteries, disconnect the AC power cord from the player.



Setting Up

Adjusting the sound emphasis (TONE/MEGA BASS)

You can adjust the tone and reinforce the bass sound.



Adjusting the tone

Turn TONE.

Turn the control clockwise to enhance the high tone and counterclockwise to enhance the low tone.

Reinforcing the bass sound

Press MEGA BASS.

To return to normal sound, press the button again.

Precautions

On safety

- As the laser beam used in the CD player section is harmful to the eyes, do not attempt to disassemble the casing. Refer servicing to qualified personnel only.
- Should any solid object or liquid fall into the player, unplug the player, and have it checked by qualified personnel before operating it any further.

On power sources

- For AC operation, check that the player's operating voltage is identical with your local power supply (see "Specifications") and use the supplied AC power cord; do not use any other type. The voltage selector is located at the bottom of the player (for the models equipped with the VOLTAGE SELECTOR at the bottom).
- The player is not disconnected from the AC power source (mains) as long as it is connected to the wall outlet, even if the player itself has been turned off.
- For battery operation, use six R20 (size D) batteries.
- When the batteries are not to be used, remove them to avoid damage that can be caused by battery leakage or corrosion.
- The nameplate indicating operating voltage, power consumption, etc. is located at the bottom.

On placement

- Do not leave the player in a location near heat sources, or in a place subject to direct sunlight, excessive dust or mechanical shock.
- Do not place the player on an inclined or unstable place.
- Do not place anything within 10 mm of the side of the cabinet. The ventilation holes must be unobstructed for the player to operate properly and prolong the life of its components.
- If the player is left in a car parked in the sun, be sure to choose a location in the car where the player will not be subjected to the direct rays of the sun.
- Since a strong magnet is used for the speakers, keep personal credit cards using magnetic coding or spring-wound watches away from the player to prevent possible damage from the magnet.

On operation

- If the player is brought directly from a cold to a warm location, or is placed in a very damp room, moisture may condense on the lenses inside the CD player section. Should this occur, the player will not operate properly. In this case, remove the CD and wait about an hour for the moisture to evaporate.
- If the player has not been used for a long time, set it in the playback mode to warm it up for a few minutes before inserting a cassette.

If you have any questions or problems concerning your player, please consult your nearest Sony dealer.

continued

Precautions (continued)

Notes on CDs

- Before playing, clean the CD with a cleaning cloth. Wipe the CD from the center out.

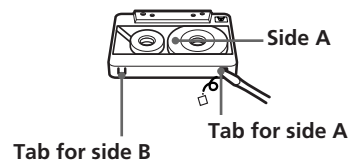


- Do not use solvents such as benzine, thinner, commercially available cleaners or anti-static spray intended for vinyl LPs.
- Do not expose the CD to direct sunlight or heat sources such as hot air ducts, nor leave it in a car parked in direct sunlight as there can be a considerable rise in temperature inside the car.
- Do not stick paper or sticker on the CD, nor scratch the surface of the CD.
- After playing, store the CD in its case.

If there is a scratch, dirt or fingerprints on the CD, it may cause tracking error.

Notes on cassettes

- Break off the cassette tab from side A or B to prevent accidental recording. If you want to reuse the tape for recording, cover the broken tab with adhesive tape.



- To record on a tape with its tab broken off, cover the respective tab hole for side A or B with adhesive tape.
- The use of a cassette with more than 90 minutes of play time is not recommended except for long, continuous recording or playback.

Troubleshooting

	Symptom	Remedy
General	The power does not come on.	<ul style="list-style-type: none"> • Connect the AC power cord securely. • Make sure the batteries are inserted correctly. • Replace all the batteries with new ones if they are weak.
	There is no audio.	<ul style="list-style-type: none"> • Make sure the FUNCTION selector is set to the function you want to operate. • Adjust the volume. • Unplug the headphones when listening through speakers.
Radio	The audio is weak or has poor quality.	<ul style="list-style-type: none"> • Replace all the batteries with new ones if they are weak. • Move the player away from the TV.
	The picture of your TV becomes unstable.	<ul style="list-style-type: none"> • If you are listening to an FM program near the TV with an indoor antenna, move the player away from the TV.
CD Player	The CD does not play/"no disc" lights in the display even when a CD is in place.	<ul style="list-style-type: none"> • Make sure that the CD compartment is closed. • Place the CD with the label surface up. • Clean the CD. • Take out the CD and leave the CD compartment open for about an hour to dry moisture condensation. • Make sure the FUNCTION selector is set to CD.
	The sound drops out.	<ul style="list-style-type: none"> • Reduce the volume. • Clean the CD, or replace it if the CD is badly damaged • Place the player in a location free from vibration.
Tape Player	The tape does not move when you press an operation button.	<ul style="list-style-type: none"> • Close the cassette compartment securely.
	The REC ● button does not function/The tape does not play.	<ul style="list-style-type: none"> • Make sure the safety tab on the cassette is in place. • Make sure the FUNCTION selector is set to CD, AM/LW or FM.
	The tape does not erase completely.	<ul style="list-style-type: none"> • Clean the erasing heads (see page 23.) • Replace all the batteries with new ones if they are weak.

continued

Troubleshooting (continued)

	Symptom	Remedy
Tape Player	The tape does not record.	<ul style="list-style-type: none"> • Make sure the tape is inserted properly. • Make sure the safety tab of the cassette is in place.
	The audio is weak/The audio quality is poor.	<ul style="list-style-type: none"> • Clean the heads, pinch roller and capstan (See page 23). • Demagnetize the heads using a demagnetizer (see page 23).
	The sound is distorted.	<ul style="list-style-type: none"> • The TYPE II (high position) or TYPE IV (metal) tape is being used. Use TYPE I (normal) tape only.
Remote (CFD-V30/V30L only)	The remote does not function.	<ul style="list-style-type: none"> • Replace all the batteries in the remote with new ones if they are weak. • Make sure that you are pointing the remote at the remote sensor on the player. • Remove any obstacles in the path of the remote and the player. • Make sure the remote sensor is not exposed to strong light such as direct sunlight or fluorescent lamp light. • Move closer to the player when using the remote.

After trying the above remedies, if you still have problems, unplug the AC power cord and remove all the batteries. After all the indications in the display disappear, plug the power cord and insert the batteries again. If the problem persists, please consult your nearest Sony dealer.

Maintenance

Cleaning the lens

If the lens becomes dirty, it may cause a skipping of sound during CD operation. Clean with a commercially available blower.

Cleaning the tape heads and tape path

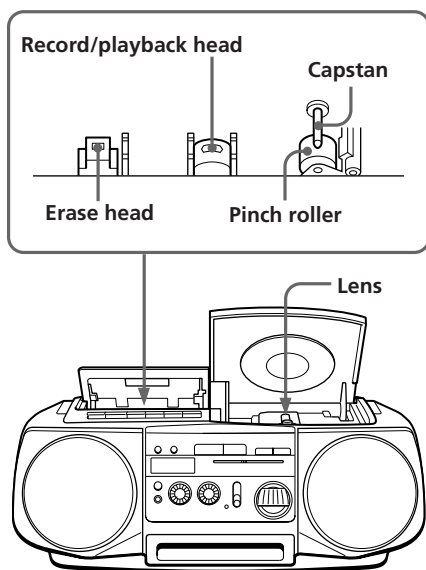
Wipe the heads, the pinch roller and the capstan with a cleaning swab slightly moistened with cleaning fluid or alcohol after every 10 hours of operation for optimum playback and recording quality. To make the best possible recording, however, we recommend that you clean all surfaces over which tape travels before each recording.

Demagnetizing the tape heads

After 20 to 30 hours of use, enough residual magnetism will have built up on the tape heads to begin to cause loss of high frequency sound and hiss. At this time, you should demagnetize the heads and all metal parts in the tape path with a commercially available tape head demagnetizer.

Cleaning the cabinet

Clean the cabinet, panel and controls with a soft cloth slightly moistened with a mild detergent solution. Do not use any type of abrasive pad, scouring powder, or solvent, such as alcohol or benzine.



After cleaning, insert a tape when the areas cleaned are completely dry.

Specifications

CD player section

System
Compact disc digital audio system

Laser diode properties
Material: GaAlAs
Wave length: 780 nm
Emission duration: Continuous
Laser output: Less than 44.6 μ W
(This output is the value measured at a distance of about 200 mm from the objective lens surface on the optical pick-up block with 7 mm aperture.)

Spindle speed
200 r/min (rpm) to 500 r/min (rpm) (CLV)

Number of channels
2

Frequency response
20 - 20,000 Hz \pm 1/-2 dB

Wow and flutter
Below measurable limit

Radio section

Frequency range

CFD-V30L		
FM		87.6 - 107 MHz
LW		153 - 279 kHz

CFD-V20/V30

Europe and Italy		
FM	Europe	87.6 - 107 MHz
	Italy	87.5 - 108 MHz
	Central and Eastern Europe	65 - 108 MHz
AM	Europe and UK	531 - 1,602 kHz
	Italy	526.5 - 1,606.5 kHz

Saudi Arabia and other countries

FM	Saudi Arabia	87.6 - 107 MHz
	Other countries	87.6 - 108 MHz or 87.6 - 107 MHz
AM		530 - 1,605 kHz or 531 - 1,602 kHz

IF

FM:	10.7 MHz
AM/LW:	455kHz

Aerials

FM:	Telescopic aerial
AM/LW:	Built-in ferrite bar aerial

Cassette-corder section

Recording system
4-track 2 channel stereo

Fast winding time
Approx. 120 s (sec.) with Sony cassette C-60

Frequency response
TYPE I (normal): 70 - 10,000 Hz

General

Speaker
Full range: 10 cm dia., 2.8ohms, cone type (2)

Outputs
Headphones jack (stereo minijack)
For 16 - 68 ohms impedance headphones
Maximum power output (excluding Korean model)
2.5 W + 2.5 W
Power output (Korean model)
1.6 W + 1.6 W (at 2.8 ohm, 10 % harmonic distortion in AC operation)

Power requirements
For CD radio cassette-corder

Europe
230 V AC, 50 Hz

Korea
220 V AC, 60 Hz

Other countries
110 - 120, 220 - 240 V AC selectable, 50/60 Hz or 230 V AC, 50 Hz

9 V DC, 6 R20 (size D) batteries

For remote controller (CFD-V30/V30L only):
3 V DC, 2 R6 (size AA) batteries

Power consumption
Korean model: AC 15 W
Other models: AC 20 W

Battery life
For CD radio cassette-corder:

FM recording
Sony R20P: approx. 13.5 h
Sony alkaline LR20: approx. 20 h

Tape playback
Sony R20P: approx. 7.5 h
Sony alkaline LR20: approx. 15 h

CD playback
Sony R20P: approx. 2.5 h
Sony alkaline LR20: approx. 7 h

Dimensions
Approx. 425 \times 160 \times 246 mm (w/h/d)
(16 $\frac{3}{4}$ \times 6 $\frac{3}{8}$ \times 9 $\frac{3}{4}$ inches) (incl. projecting parts)

Mass
Approx. 4.0 kg (8 lb. 13 oz) (incl. batteries)

Supplied accessory
AC power cord (1)
Remote controller (1) (CFD-V30/V30L only)

Design and specifications are subject to change without notice.

Optional accessories

Sony MDR headphone series

Index

A

Adjusting
 sound emphasis 18
 tone 18

B

Batteries
 for player 17
 for remote 16

C

CD player 12
Choosing power sources 16
Cleaning
 cabinet 23
 tape heads and tape path
 23
Creating your own
program 15

D, E, F, G, H

Demagnetizing the tape
heads 23
Display 12

I, J, K

Improving broadcast
reception 7

L

Listening to the radio 6
Locating a specific track 13
Loop 14

M, N, O

MEGA BASS 18

P, Q

Playing
 a CD 4
 a tape 8
 tracks repeatedly 14
Power sources 16
Program Play 15

R

Recording on a tape 10
Repeat Play 14

S

Selecting tracks 5
Setting up 16
Sound emphasis 18

T

TONE 18
Troubleshooting 21

U, V, W, X, Y, Z

Using the display 12

V, W, X, Y, Z

Voltage selector 16

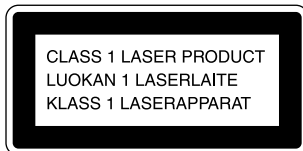
VORSICHT

Um Feuergefahr und die Gefahr eines elektrischen Schlages zu vermeiden, darf das Gerät weder Regen noch Feuchtigkeit ausgesetzt werden.

Um einen elektrischen Schlag zu vermeiden, darf das Gehäuse nicht geöffnet werden. Überlassen Sie Wartungsarbeiten stets nur einem Fachmann.

Informationen

Für Kunden in Europa



Bei diesem CD-Spieler handelt es sich um ein Laser-Produkt der Klasse 1. Ein Aufkleber mit der Aufschrift CLASS 1 LASER PRODUCT befindet sich an der Seite.

VORSICHT

Stellen Sie das Gerät nicht an einem Ort auf, an dem ausreichende Luftzufuhr nicht gegeben ist, zum Beispiel in einem engen Regalfach oder in einem Einbauschränk.

Der Wählschalter FUNCTION befindet sich an der Vorderseite.

Wenn Sie den Player einschalten, leuchtet die Anzeige OPR/BATT auf.

Zu dieser Bedienungsanleitung

Die Anweisungen in dieser Bedienungsanleitung beziehen sich auf die Modelle CFD-V20, CFD-V30 und CFD-V30L. Bevor Sie beginnen, die Bedienungsanleitung zu lesen, sehen Sie erst nach der Nummer Ihres Modells. Die Abbildungen zeigen das Modell CFD-V20.

Inhalt

Grundfunktionen

- 4 Wiedergeben einer CD
 - 6 Radioempfang
 - 8 Wiedergeben einer Kassette
 - 10 Bespielen einer Kassette
-

Der CD-Player

- 12 Das Display
- 13 Wiedergeben eines bestimmten Titels
- 14 Wiederholtes Wiedergeben von Titeln (Repeat Play)
- 15 Erstellen eines eigenen Programms (Program Play)

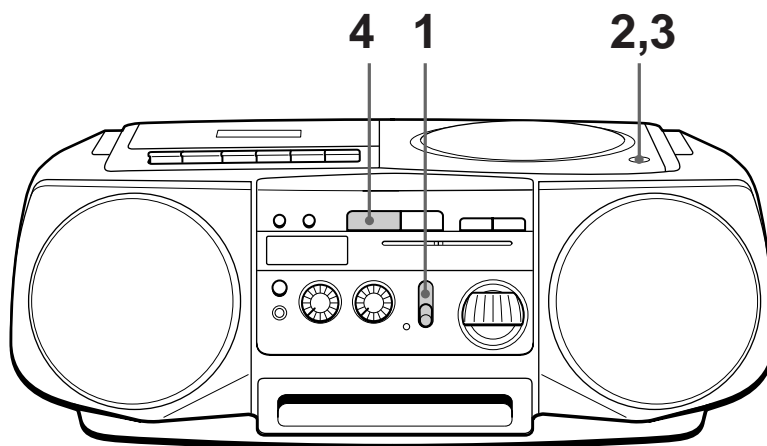
Vorbereitungen

- 16 Auswählen der Stromquellen
- 18 Einstellen der Klangbetonung (TONE/MEGA BASS)

Zusätzliche Informationen

- 19 Sicherheitsmaßnahmen
- 21 Störungsbehebung
- 23 Wartung
- 24 Technische Daten
- 25 Index

Wiedergeben einer CD



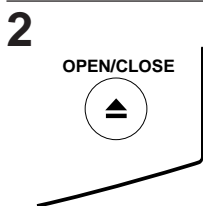
Schließen Sie das mitgelieferte Netzkabel an (siehe Seite 16).


1

CFD-V20/V30 CFD-V30L



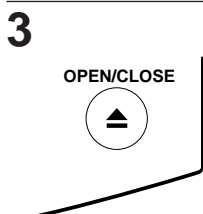
Stellen Sie FUNCTION auf CD.



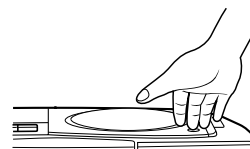
Drücken Sie  OPEN/CLOSE nach unten. Das CD-Fach öffnet sich. Legen Sie die CD in das CD-Fach ein.



Mit der beschrifteten Seite nach oben



Schließen Sie das CD-Fach.



4



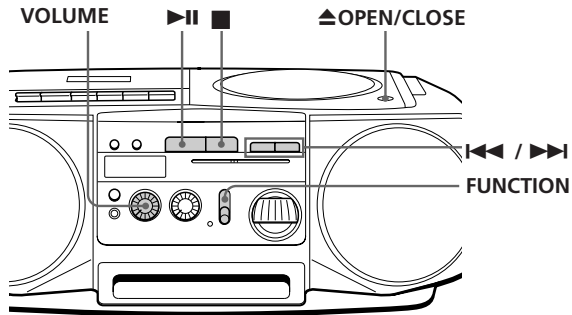
Drücken Sie ►||.
Alle Titel werden einmal wiedergegeben.

Display



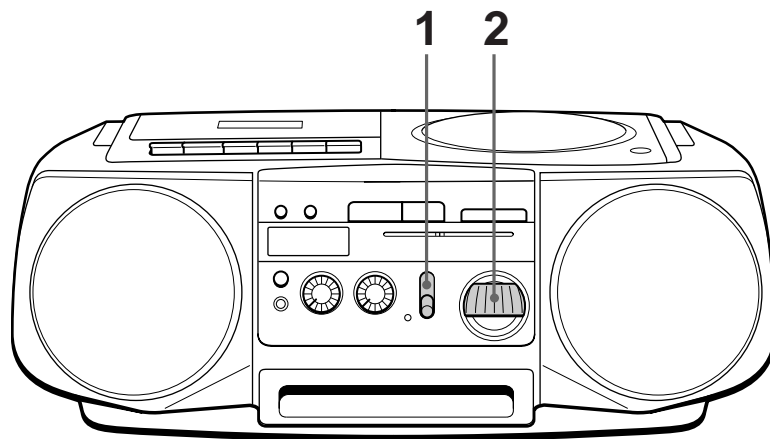
Titelnummer Spieldauer

Folgende Tasten stehen für weitere Funktionen zur Verfügung:



Um	Gehen Sie folgendermaßen vor
die Lautstärke einzustellen	Drehen Sie VOLUME.
die Wiedergabe zu beenden (Stopmodus)	Drücken Sie ■.
die Wiedergabe zu unterbrechen (Pausemodus)	Drücken Sie ► . Drücken Sie die Taste erneut, um die Wiedergabe nach einer Pause wiederaufzunehmen.
zum nächsten Titel zu wechseln	Drücken Sie ►►.
zum vorherigen Titel zu wechseln	Drücken Sie ◀◀.
die CD zu entnehmen	Drücken Sie ▲OPEN/CLOSE.
den Player auszuschalten	Stellen Sie FUNCTION auf TAPE (CD/RADIO OFF).

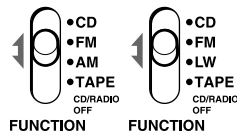
Radioempfang



Schließen Sie das mitgelieferte Netzkabel an (siehe Seite 16).

1

CFD-V20/V30 CFD-V30L



Wählen Sie den Frequenzbereich aus (CFD-V20/V30: FM oder AM, CFD-V30L: FM oder LW).

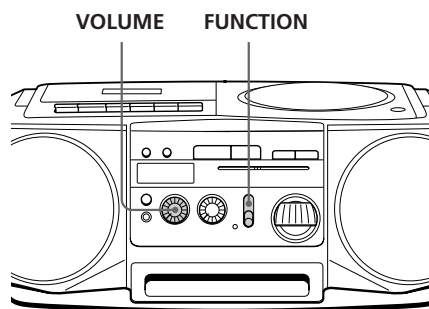
2



Drehen Sie TUNE, um einen Radiosender einzustellen.

Wenn der UKW-Stereosender zu schwach empfangen wird, wird der Empfang monaural.

Folgende Tasten stehen für weitere Funktionen zur Verfügung:



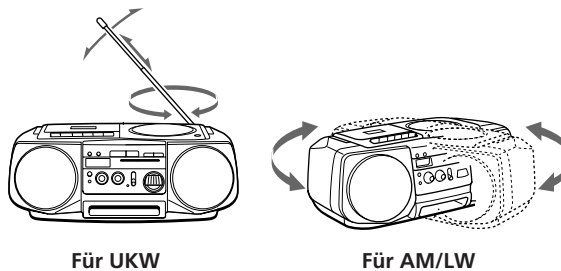
TIP

So empfangen Sie einen UKW-Stereosender (nur bei den Modellen mit Sie FM MODE/ISS an der Rückseite)
Stellen Sie den Wählschalter FM MODE/ISS an der Rückseite auf STEREO. Wenn der UKW-Empfang verrauscht ist, stellen Sie den Wählschalter auf MONO. Der Radioempfang ist in diesem Fall monaural.

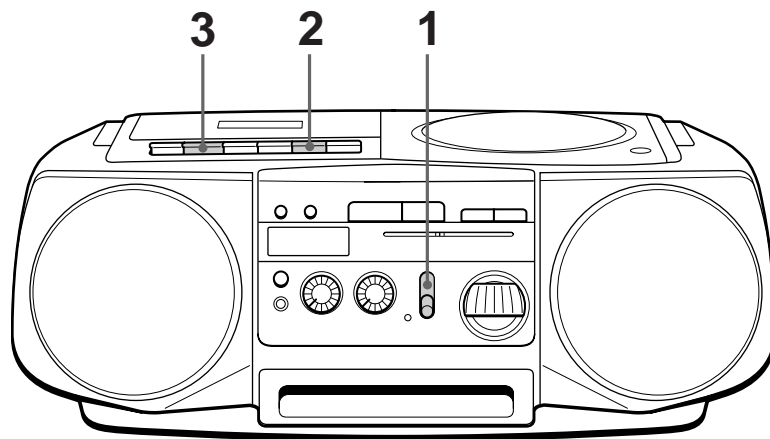
Um	Gehen Sie folgendermaßen vor
die Lautstärke einzustellen	Drehen Sie VOLUME.
das Radio auszuschalten	Stellen Sie FUNCTION auf TAPE (CD/RADIO OFF).

So verbessern Sie den Radioempfang

Richten Sie beim UKW-Empfang die Antenne aus. Drehen Sie beim AM- oder LW-Empfang das Gerät selbst.

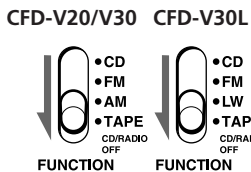


Wiedergeben einer Kassette

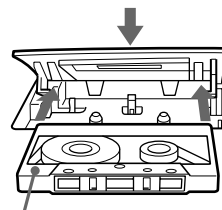
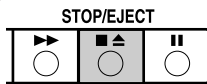


Schließen Sie das mitgelieferte Netzkabel an (siehe Seite 16).

- 1** Stellen Sie FUNCTION auf TAPE
(CD/RADIO OFF).

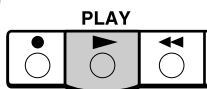


- 2** Drücken Sie , um das Kassettenfach zu öffnen, und legen Sie eine bespielte Kassette ein. Verwenden Sie ausschließlich Kassetten des Typs TYPE I (normal). Schließen Sie das Fach.

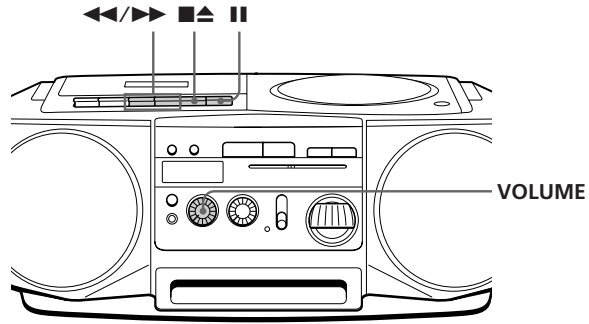


Mit der wiederzugebenden Seite nach oben

- 3** Drücken Sie .

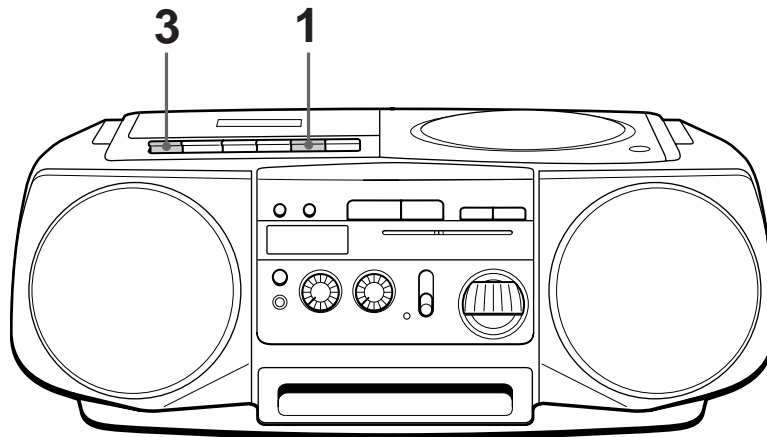


Folgende Tasten stehen für weitere Funktionen zur Verfügung:



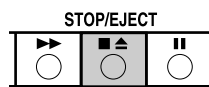
Um	Gehen Sie folgendermaßen vor
die Lautstärke einzustellen	Drehen Sie VOLUME.
die Wiedergabe zu beenden (Stopmodus)	Drücken Sie ■▲.
das Band vor- oder zurückzuspulen	Drücken Sie ►► oder ◀◀.
die Wiedergabe zu unterbrechen (Pausemodus)	Drücken Sie . Drücken Sie die Taste erneut, um die Wiedergabe nach einer Pause wiederaufzunehmen.
die Kassette auszuwerfen	Drücken Sie ■▲.

Bespielen einer Kassette

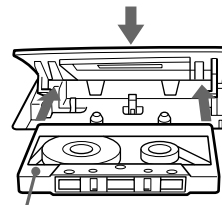


Schließen Sie das mitgelieferte Netzkabel an (siehe Seite 16).

1



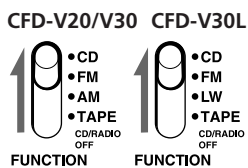
Öffnen Sie mit ■▲ das Kassettenfach, und legen Sie ein unbespieltes Band ein. Verwenden Sie ausschließlich Kassetten des Typs TYPE I (normal).



Mit der aufzunehmenden Seite nach oben

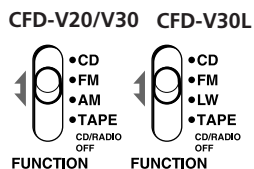
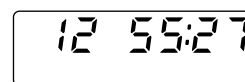
2

Wählen Sie das Gerät, von dem Sie aufnehmen möchten.



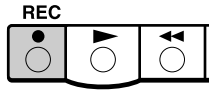
Um vom CD-Player aufzunehmen, stellen Sie FUNCTION auf CD und legen eine CD ein (siehe Seite 4).

Display



Wollen Sie vom Radio aufnehmen, wählen Sie den Frequenzbereich aus, und stellen Sie den gewünschten Sender ein (siehe Seite 6).

3

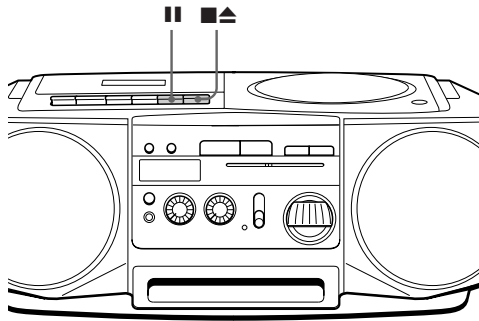


Starten Sie mit r die Aufnahme.
 ► wird dabei automatisch gedrückt.

Tips

- Durch Einstellen der Lautstärke oder des Klangs wird der Aufnahmepegel nicht beeinflusst.
- Wenn bei AM/LW-Sendungen ein Pfeifgeräusch zu hören ist, nachdem Sie in Schritt 3 die Taste ● gedrückt haben, stellen Sie den Schalter FM MODE/ISS (Interferenzunterdrückung) an der Rückseite in die Position, in der das Geräusch am wenigsten zu hören ist. (nur bei den Modellen mit Sie FM MODE/ISS an der Rückseite)
- Die besten Ergebnisse erzielen Sie, wenn Sie das Gerät für die Aufnahme an das Stromnetz anschließen.
- Zum Löschen einer Aufnahme gehen Sie folgendermaßen vor:
 - 1 Stellen Sie FUNCTION auf TAPE (CD/RADIO OFF).
 - 2 Drücken Sie ●.

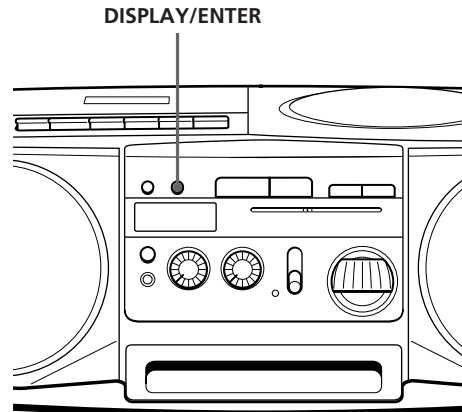
Folgende Tasten stehen für weitere Funktionen zur Verfügung:



Um	Drücken Sie
die Aufnahme zu beenden (Stopmodus)	►
die Aufnahme zu unterbrechen (Pausemodus)	
	Drücken Sie die Taste erneut, um die Aufnahme wiederaufzunehmen.

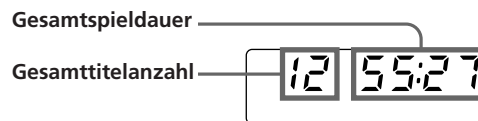
Das Display

Im Display werden Informationen zur jeweils eingelegten CD angezeigt.



Prüfen der Gesamtanzahl und -spieldauer

Überprüfen Sie das Display im Stopmodus.



Prüfen der Restspieldauer

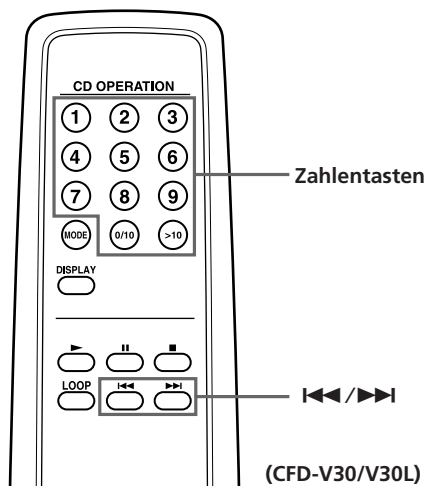
Drücken Sie während der Wiedergabe einer CD DISPLAY/ENTER.

Zum Anzeigen	Drücken Sie DISPLAY/ENTER
der Restspieldauer des aktuellen Titels*	einmal
der Restspieldauer der CD und der Anzahl der restlichen Titel	zweimal
der Spieldauer und der aktuellen Titelnummer	dreimal

* Bei einem Titel, dessen Nummer höher als 20 ist, erscheint statt der Restspieldauer die Anzeige "--:--" im Display.

Wiedergeben eines bestimmten Titels

Sie können jeden Titel schnell ansteuern, indem Sie die jeweilige Zahlentaste drücken (nur CFD-30L). Während der Wiedergabe einer CD können Sie außerdem eine bestimmte Passage in einem Titel suchen.



Hinweis

Nur CFD-V30/V30L:
Sie können einen bestimmten Titel nicht ansteuern, solange im Display die Anzeige "SHUF REP" oder "PGM" leuchtet. Schalten Sie die Anzeige aus, indem Sie ■ drücken.

Tip

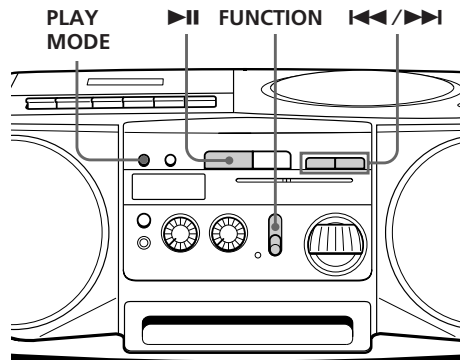
Nur CFD-V30/V30L:
Wenn Sie einen Titel mit einer Nummer über 10 wiedergeben möchten, drücken Sie zuerst > 10 und dann die entsprechenden Zahlentasten.
Beispiel:
Zur Wiedergabe des Titels mit der Nummer 23 drücken Sie zuerst >10, dann 2 und 3.

Zum Ansteuern	Drücken Sie
eines bestimmten Titels (nur CFD-V30/30L)	die dem Titel entsprechende Zahlentaste
einer Passage während der Wiedergabe	▶▶▶ (vorwärts) oder ◀◀◀ (rückwärts) während der Wiedergabe, und halten Sie die Taste gedrückt, bis Sie die Passage gefunden haben.
einer Passage mit Hilfe der Anzeige im Display	▶▶▶ (vorwärts) oder ◀◀◀ (rückwärts) im Pausemodus, und halten Sie die Taste gedrückt, bis Sie die Passage gefunden haben.

Wiederholtes Wiedergeben von Titeln

(Repeat Play)

Sie können Titel im normalen Modus, im Shuffle Play-Modus oder im Program Play-Modus wiederholt wiedergeben (siehe Seite 15).



Tip

Nur CFD-V30/V30L:
Soll eine kurze Passage wiederholt werden, drücken Sie LOOP auf der Fernbedienung. Wenn Sie während der Wiedergabe LOOP drücken und gedrückt halten, spielt das Gerät die Passage zwischen der Stelle, an der Sie LOOP gedrückt haben, und einer Stelle etwa 1 Sekunde später in Form einer Schleife immer wieder ab. Sobald Sie LOOP loslassen, schaltet das Gerät wieder zurück in die normale Wiedergabe.

- 1 Stellen Sie FUNCTION auf CD.
- 2 Drücken Sie PLAY MODE so oft, bis der gewünschte Repeat Play-Modus im Display erscheint.

Zur wiederholten Wiedergabe	Wählen Sie
eines einzelnen Titels	REP 1
aller Titel	REP ALL
der Titel in willkürlicher Reihenfolge	SHUF REP
programmierter Titel	PGM REP

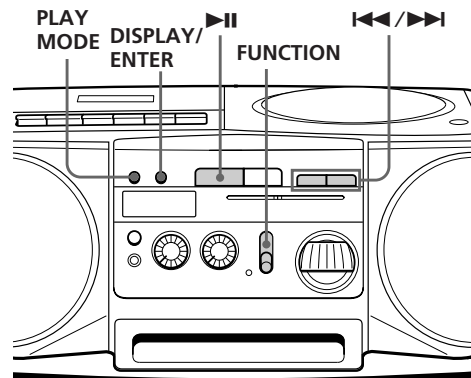
- 3 Starten Sie Repeat Play:
 - **Wenn Sie REP1 gewählt haben**, wählen Sie den Titel, indem Sie **◀◀** oder **▶▶** und dann **▶||** drücken.
 - **Wenn Sie REP ALL und SHUF REP gewählt haben**, drücken Sie **▶||**.
 - **Wenn Sie PGM REP gewählt haben**, stellen Sie ein Programm zusammen (siehe Schritt 3 auf Seite 15) und drücken anschließend **▶||** drücken.

So beenden Sie Repeat Play

Drücken Sie PLAY MODE, bis "REP" nicht mehr im Display angezeigt wird.

Erstellen eines eigenen Programms (Program Play)

Sie können die Reihenfolge festlegen, in der die Titel auf einer CD wiedergegeben werden sollen.

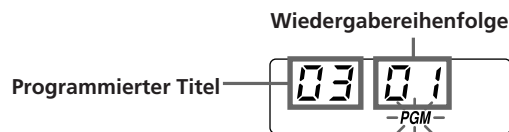


Der CD-Player

Tips

- Nur CFD-V30/V30L: Folgendermaßen können Sie mit Hilfe der Fernbedienung ein eigenes Programm zusammenstellen:
1 Stellen Sie am CD-Player FUNCTION auf CD.
2 Drücken Sie MODE, bis "PGM" im Display erscheint.
3 Drücken Sie auf der Fernbedienung die Zahlentasten für die Titel, die Sie in Ihr Programm aufnehmen wollen, und zwar in der gewünschten Reihenfolge.
4 Drücken Sie ►.
- Sie können ein Programm wiederholt wiedergeben, da das Programm im Player gespeichert wird, bis Sie das CD-Fach öffnen oder FUNCTION umstellen.
- Das aktuelle Programm wird gelöscht, wenn Sie FUNCTION anders einstellen oder das CD-Fach öffnen.
- Sie können ein selbst zusammengestelltes Programm aufnehmen. Wenn Sie das Programm erstellt haben, legen Sie ein unbespieltes Band ein und starten die Aufnahme mit ●.

- 1 Stellen Sie FUNCTION auf CD.
- 2 Drücken Sie PLAY MODE, bis "PGM" im Display erscheint.
- 3 Drücken Sie ◀◀ oder ▶▶ und dann DISPLAY/ENTER, um die gewünschten Titel in der gewünschten Reihenfolge zu programmieren. Sie können bis zu 20 Titel programmieren.



- 4 Drücken Sie ►►, um Program Play zu starten.

So brechen Sie Program Play ab

Drücken Sie PLAY MODE bis nicht mehr im Display angezeigt wird.

So überprüfen Sie die Reihenfolge der Titel vor der Wiedergabe

Drücken Sie DISPLAY/ENTER am Player. Jedesmal, wenn Sie die Taste drücken, erscheint die Nummer des nächsten Titels in der programmierten Reihenfolge.

So ändern Sie das aktuelle Programm

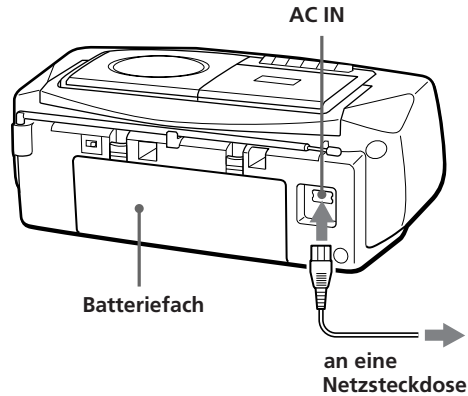
Drücken Sie ■ einmal, wenn gerade keine CD wiedergegeben wird, oder zweimal, wenn gerade eine CD wiedergegeben wird. Das aktuelle Programm wird gelöscht. Danach können Sie anhand des oben beschriebenen Programmierverfahrens ein neues Programm erstellen.

Der CD-Player | 15^o

Auswählen der Stromquellen

Sie können das Gerät an den Netzstrom anschließen oder es über Batterien betreiben.

Da der Stromverbrauch beim Aufnehmen relativ hoch ist, empfiehlt es sich, das Gerät während der Aufnahme am Netzstrom zu betreiben.



Tip

Nur für Geräte, die mit einem Zwischenstecker ausgestattet sind:

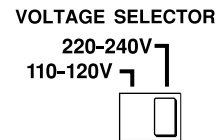
Verwenden Sie den mitgelieferten Zwischenstecker, wenn der Netzkabelstecker nicht in die Netzsteckdose paßt.

Anschließen des Netzkabels

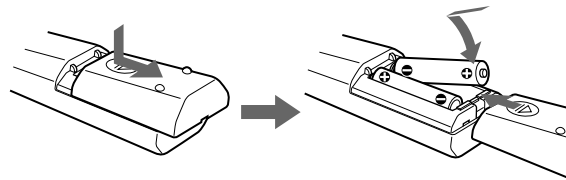
Verbinden Sie ein Ende des mitgelieferten Netzkabels mit der Buchse AC IN an der Rückseite des Geräts und das andere Ende mit einer Netzsteckdose.

Einstellen der Betriebsspannung (nur für Modelle mit dem Spannungswählschalter VOLTAGE SELECTOR an der Unterseite)

Achten Sie darauf, daß der Spannungswählschalter (VOLTAGE SELECTOR) an der Unterseite auf die örtliche Stromversorgung eingestellt ist.



Nur CFD-V30/V30L: Einlegen von Batterien in die Fernbedienung



Legen Sie zwei R6-Batterien (Größe AA) ein (nicht mitgeliefert).

Auswechseln der Batterien

Bei normalem Gebrauch beträgt die Lebensdauer der Batterien ca. sechs Monate. Wenn sich das Gerät über die Fernbedienung nicht mehr steuern läßt, ersetzen Sie alle Batterien durch neue.

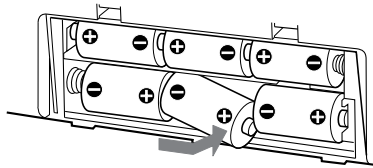
Tip

Wechseln Sie die Batterien aus, wenn die Anzeige OPR/BATT schwächer wird oder das Gerät nicht mehr betrieben werden kann. Ersetzen Sie immer alle Batterien durch neue. Achten Sie darauf, vor dem Austauschen der Batterien die CD aus dem Player zu nehmen.

Betrieb des Geräts mit Batterien

Legen Sie sechs R20-Batterien (Größe D) (nicht mitgeliefert) in das Batteriefach ein.

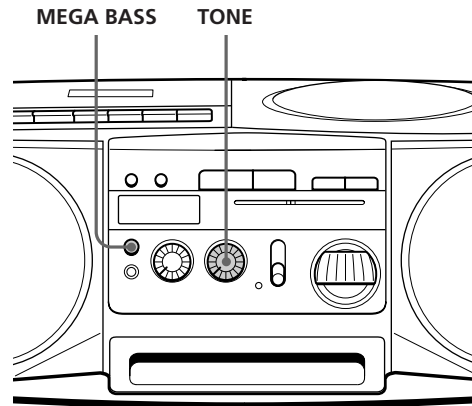
Wollen Sie das Gerät mit Batteriestrom betreiben, lösen Sie das Netzkabel.



Vorbereitungen

Einstellen der Klangbetonung (TONE/MEGA BASS)

Sie können den Klang einstellen und die Bässe verstärken.



Einstellen des Klangs

Drehen Sie den Regler TONE.

Drehen Sie den Regler im Uhrzeigersinn, um die Höhen zu betonen, und gegen den Uhrzeigersinn, um die Tiefen zu betonen.

Verstärken der Bässe

Drücken Sie MEGA BASS.

Um wieder zur normalen Klangeinstellung zurückzukehren, drücken Sie die Taste erneut.

Sicherheitsmaßnahmen

Sicherheit

- Der Laser-Strahl, den dieses Gerät generiert, schädigt die Augen. Versuchen Sie daher nicht, das Gehäuse zu öffnen. Überlassen Sie Wartungsarbeiten stets nur qualifiziertem Fachpersonal.
- Sollten Fremdkörper oder Flüssigkeiten in das Gerät gelangen, trennen Sie es von der Netzsteckdose, und lassen Sie es von qualifiziertem Fachpersonal überprüfen, bevor Sie es wieder benutzen.

Stromquellen

- Überprüfen Sie bei Netzbetrieb, ob die Betriebsspannung des Geräts der örtlichen Stromversorgung entsprechend eingestellt ist (siehe "Technische Daten"). Verwenden Sie ausschließlich das mitgelieferte Netzkabel. Der Spannungswählschalter befindet sich an der Unterseite des Geräts (nur für Modelle mit dem Spannungswählschalter VOLTAGE SELECTOR an der Unterseite).
- Das Gerät bleibt auch in ausgeschaltetem Zustand mit dem Stromnetz verbunden, solange das Netzkabel mit der Netzsteckdose verbunden ist.
- Bei Batteriebetrieb verwenden Sie sechs R20-Batterien (Größe D).
- Wenn das Gerät nicht über Batterien betrieben werden soll, nehmen Sie die Batterien heraus, damit nicht durch auslaufende oder korrodierende Batterien Schäden entstehen.
- Das Typenschild mit Angaben zur Betriebsspannung, Leistungsaufnahme etc. befindet sich an der Unterseite.

Aufstellort

- Stellen Sie das Gerät nicht in der Nähe von Wärmequellen oder an einem Ort auf, an dem es direkter Sonneneinstrahlung, übermäßiger Staubeentwicklung oder mechanischen Stößen ausgesetzt ist.
- Stellen Sie den Player nicht auf eine geneigte oder unebene Oberfläche.
- Lassen Sie seitlich am Gerät 10 mm frei. Die Ventilationsöffnungen dürfen nicht blockiert werden, andernfalls können Betriebsstörungen auftreten, und die Lebensdauer der Komponenten kann sich verringern.
- Wenn Sie das Gerät in einem in der Sonne geparkten Wagen lassen, stellen Sie es an einen Platz, an dem es nicht direkter Sonneneinstrahlung ausgesetzt ist.
- Da die Lautsprecher mit einem starken Magneten arbeiten, müssen Kreditkarten mit Magnetstreifen und Uhren mit Federwerk ferngehalten werden, da sie sonst beschädigt werden können.

Fortsetzung

Sicherheitsmaßnahmen (Fortsetzung)

Betrieb

- Wird das Gerät direkt von einem kalten in einen warmen Raum gebracht oder in einem sehr feuchten Raum aufgestellt, kann sich auf den Linsen im CD-Player Feuchtigkeit niederschlagen. In diesem Fall funktioniert der CD-Player unter Umständen nicht mehr richtig. Nehmen Sie die CD heraus, und lassen Sie das Gerät etwa eine Stunde lang stehen, bis die Feuchtigkeit verdunstet ist.
- Wurde der Player längere Zeit nicht benutzt, schalten Sie ihn zum Aufwärmen einige Minuten in den Wiedergabemodus, bevor Sie eine Kassette einlegen.

Wenn Sie Fragen zum Player haben oder Probleme damit auftreten, wenden Sie sich bitte an Ihren Sony-Händler.

Hinweise zu CDs

- Vor der Wiedergabe reinigen Sie die CDs mit einem Reinigungstuch. Wischen Sie dabei von der Mitte nach außen.



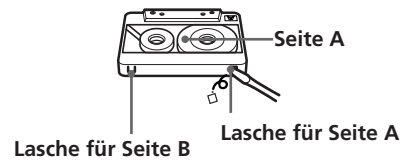
- Verwenden Sie keine Lösungsmittel wie Benzin, Verdünner, handelsübliche Reinigungsmittel oder Antistatikspray für Schallplatten.

- Setzen Sie CDs nicht direktem Sonnenlicht oder Wärmequellen wie Warmluftauslässen aus. Lassen Sie sie auch nicht in einem in der Sonne geparkten Wagen, da die Temperaturen im Wageninneren stark ansteigen können.
- Kleben Sie kein Papier und keine Aufkleber auf die CD, und zerkratzen Sie die Oberfläche der CD nicht.
- Legen Sie die CDs nach der Wiedergabe immer in ihre Hülle zurück.

Befinden sich auf der Oberfläche einer CD Kratzer, Schmutz oder Fingerabdrücke, kann es zu Fehlern bei der Spurführung kommen.

Hinweise zu Kassetten

- Wenn Sie verhindern möchten, daß eine Kassette versehentlich überspielt wird, brechen Sie die Überspielschutzlasche von Seite A oder B ab. Wenn Sie die Kassette später doch überspielen möchten, überkleben Sie die Öffnung mit Klebeband.



- Um auf einer Kassette mit abgebrochener Lasche aufzunehmen, überkleben Sie die Aussparung für Seite A oder B mit Klebeband.
- Kassetten mit einer Spieldauer von mehr als 90 Minuten sollten im allgemeinen nicht verwendet werden. Verwenden Sie solche Kassetten nur für langes, ununterbrochenes Aufnehmen und Wiedergeben.

Störungsbehebung

	Symptom	Abhilfe
Allgemeines	Das Gerät läßt sich nicht einschalten.	<ul style="list-style-type: none"> • Schließen Sie das Netzkabel richtig an. • Achten Sie darauf, daß die Batterien richtig eingelegt sind. • Tauschen Sie alle Batterien gegen neue aus, wenn die Batterien erschöpft sind.
	Es ist kein Ton zu hören.	<ul style="list-style-type: none"> • Der Wählschalter FUNCTION muß zur Wiedergabe auf die gewünschte Komponente eingestellt sein. • Erhöhen Sie die Lautstärke. • Lösen Sie die Kopfhörer vom Gerät, wenn Sie über Lautsprecher hören möchten.
Radio	Der Ton ist schwach oder von schlechter Qualität.	<ul style="list-style-type: none"> • Wenn die Batterien schwach sind, ersetzen Sie alle Batterien durch neue. • Stellen Sie das Gerät weiter vom Fernsehgerät entfernt auf.
	Das Fernsehbild ist instabil.	<ul style="list-style-type: none"> • Beim UKW-Empfang über eine Innenantenne kann diese Störung auftreten, wenn das Gerät in der Nähe des Fernsehgeräts aufgestellt ist. Stellen Sie das Gerät weiter vom Fernsehgerät entfernt auf.
CD-Player	Die CD wird nicht wiedergegeben/ "no disc" leuchtet im Display, obwohl eine CD eingelegt wurde.	<ul style="list-style-type: none"> • Das CD-Fach muß geschlossen sein. • Legen Sie die CD mit der beschrifteten Seite nach oben ein. • Reinigen Sie die CD. • Nehmen Sie die CD heraus, und lassen Sie das CD-Fach ca. eine Stunde geöffnet, bis die Feuchtigkeit verdunstet ist. • Der Wählschalter FUNCTION muß auf CD stehen.
	Der Ton setzt aus.	<ul style="list-style-type: none"> • Verringern Sie die Lautstärke. • Reinigen Sie die CD, oder ersetzen Sie sie, wenn sie stark beschädigt ist. • Stellen Sie das Gerät an einem vor Vibrationen geschützten Ort auf.

Fortsetzung

Sicherheitsmaßnahmen (Fortsetzung)

	Symptom	Abhilfe
Kassetendeck	Die Kassette läuft nicht, wenn eine Bandlauftaste gedrückt wird.	<ul style="list-style-type: none"> • Schließen Sie das Kassettenfach richtig.
	Die Taste REC ● funktioniert nicht/die Kassette wird nicht wiedergegeben.	<ul style="list-style-type: none"> • Die Überspielschutzlasche muß intakt sein. • Der Wählschalter FUNCTION muß auf CD, AM/LW oder FM stehen.
	Die Kassette wird nicht vollständig gelöscht.	<ul style="list-style-type: none"> • Reinigen Sie die Löschköpfe (siehe Seite 23). • Wenn die Batterien schwach sind, ersetzen Sie alle Batterien durch neue.
	Die Kassette läßt sich nicht bespielen.	<ul style="list-style-type: none"> • Achten Sie darauf, daß die Kassette richtig eingelegt ist. • Achten Sie darauf, daß die Überspielschutzlasche nicht von der Kassette entfernt wurde.
	Der Ton ist schwach oder von schlechter Qualität.	<ul style="list-style-type: none"> • Reinigen Sie Tonköpfe, Andruckwalze und Kapstan (siehe Seite 23). • Entmagnetisieren Sie die Tonköpfe mit einer Entmagnetisierungskassette (siehe Seite 23).
	Der Ton ist verzerrt.	<ul style="list-style-type: none"> • Eine Kassette des Typs TYPE II (High Position) oder TYPE IV (Metall) wird verwendet. Verwenden Sie ausschließlich Kassetten des Typs TYPE I (normal).
Fernbedienung (nur CFD-V30/V30L)	Die Fernbedienung funktioniert nicht.	<ul style="list-style-type: none"> • Wenn die Batterien der Fernbedienung schwach sind, ersetzen Sie alle Batterien durch neue. • Achten Sie darauf, daß Sie die Fernbedienung auf den Fernbedienungssensor am Gerät richten. • Entfernen Sie alle Hindernisse zwischen Fernbedienung und Gerät. • Achten Sie darauf, daß der Fernbedienungssensor keiner starken Lichtquelle (direktes Sonnenlicht, Leuchtstoffröhre) ausgesetzt ist. • Bewegen Sie die Fernbedienung näher an das Gerät.

Wenn sich ein Problem anhand dieser Liste nicht beheben läßt, lösen Sie das Netzkabel, und entnehmen Sie alle Batterien. Nachdem alle Anzeigen im Display erloschen sind, schließen Sie das Netzkabel wieder an und legen die Batterien wieder ein. Läßt sich das Problem auch dadurch nicht beheben, wenden Sie sich bitte an Ihren Sony-Händler.

Wartung

Reinigen der Linse

Wenn die Linse verschmutzt ist, kann es während der Wiedergabe einer CD zu Tonsprüngen kommen. Reinigen Sie die Linse mit einem handelsüblichen Staubbläser.

Reinigen der Tonköpfe und des Bandpfads

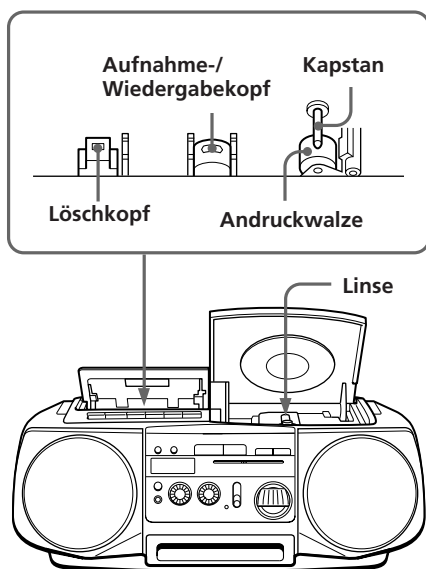
Um eine gute Wiedergabe- und Aufnahmequalität sicherzustellen, wischen Sie Tonköpfe, Andruckwalzen und Kapstan nach jeweils 10 Betriebsstunden mit einem Wattestäbchen ab, das Sie leicht mit einer Reinigungsflüssigkeit oder Alkohol angefeuchtet haben. Um eine optimale Aufnahmequalität zu erzielen, empfiehlt es sich, alle Oberflächen, über die das Band transportiert wird, vor jeder Aufnahme zu reinigen.

Entmagnetisieren der Tonköpfe

Nach 20 bis 30 Betriebsstunden hat sich Abrieb des Magnetbands auf den Köpfen abgelagert, der Signalverlust im Hochfrequenzbereich und Rauschen verursachen kann. Entmagnetisieren Sie die Köpfe und alle Metallteile des Bandpfads mit einer im Handel erhältlichen Entmagnetisierungskassette.

Reinigen des Gehäuses

Reinigen Sie Gehäuse, Bedienfeldabdeckung und Bedienelemente mit einem weichen, leicht mit einem milden Reinigungsmittel angefeuchteten Tuch. Verwenden Sie keine Scheuerschwämme, kein Scheuerpulver und keine Lösungsmittel wie Alkohol oder Benzin.



Lassen Sie die Teile vollständig trocknen, bevor Sie eine Kassette einlegen.

Zusätzliche Informationen | 23^o

Technische Daten

CD-Player

System

Digitales CD-Audiosystem

Eigenschaften der Laserdiode

Material: GaAlAs

Wellenlänge: 780 nm

Emissionsdauer: kontinuierlich

Laser-Ausgangsleistung: unter 44,6 µW

(gemessen im Abstand von 200 mm von der Linsenoberfläche am optischen Sensorblock mit einer Öffnung von 7 mm)

Rotationsgeschwindigkeit

200 U/min bis 500 U/min (CLV)

Anzahl der Kanäle

2

Frequenzgang

20 - 20.000 Hz +1/-2 dB

Gleichlaufschwankungen

Unterhalb der Meßgrenze

Radio

Frequenzbereich

CFD-V30L

UKW 87,6 - 107 MHz

LW 153 - 279 kHz

CFD-V20/V30

Europäische Länder und Italien

UKW	Europäische Länder	87,6 - 107 MHz
	Italien	87,5 - 108 MHz
	Mittel- und Osteuropa	65 - 108 MHz

AM	Europäische Länder	531 - 1.602 kHz
	Italien	526,5 - 1.606,5 kHz

Saudi-Arabien und andere Länder

UKW	Saudi-Arabien	87,6 - 107 MHz
	Andere Länder	87,6 - 108 MHz oder 87,6 - 107 MHz

AM		530 - 1.605 kHz oder 531 - 1.602 kHz
----	--	---

IF

UKW: 10,7 MHz
AM/LW: 455 kHz

Antennen

UKW: Teleskopantenne
AM/LW: Eingebaute Ferritstabantenne

Kassettendeck

Aufnahmesystem

4 spurig, 2 Kanäle, stereo

Spuldauer

ca. 120 Sek. bei Sony-Kassette C-60

Frequenzgang

TYPE I (normal): 70 - 10.000 Hz

Allgemeines

Lautsprecher

Voller Frequenzbereich: 10 cm Durchmesser,
2,8 Ohm, Konus (2)

Ausgänge

Kopfhörerbuchsen (Stereominibuchse)

für Kopfhörer mit einer Impedanz von 16 - 68 Ohm

Maximale Leistungsabgabe (mit Ausnahme des Modells für Korea)

2,5 W + 2,5 W

Leistungsabgabe (Modell für Korea)

1,6 W + 1,6 W (bei 2,8 Ohm, 10 % harmonische
Verzerrung bei Wechselstrombetrieb)

Betriebsspannung

Europäische Länder

230 V Wechselstrom, 50 Hz

Korea

220 V Wechselstrom, 60 Hz

Andere Länder

110 - 120 V, 220 - 240 V Wechselstrom 50/60 Hz,
umschaltbar oder 230 V Wechselstrom 50 Hz

9 V Gleichstrom, 6 R20-Batterien (Größe D)

Fernbedienung (nur CFD-V30/V30L):

3 V Gleichstrom, 2 R6-Batterien (Größe AA)

Leistungsaufnahme

Koreanisches Modell: 15 W Wechselstrom

Andere Modelle: 20 W Wechselstrom

Batterielebensdauer

CD/Radio/Kassettendeck:

UKW-Aufnahme

R20P von Sony: ca. 13,5 Std.

Alkali-Batterie LR20 von Sony: ca. 20 Std.

Kassettenwiedergabe

R20P von Sony: ca. 7,5 Std.

Alkali-Batterie LR20 von Sony: ca. 15 Std.

CD-Wiedergabe

R20P von Sony: ca. 2,5 Std.

Alkali-Batterie LR20 von Sony: ca. 7 Std.

Abmessungen

ca. 425 x 160 x 246 mm (B/H/T)
(einschl. vorstehender Teile)

Gewicht

ca. 4,0 kg (einschl. Batterien)

Mitgeliefertes Zubehör

Netzkabel (1)

Fernbedienung (1) (nur CFD-V30/V30L)

Änderungen, die dem technischen Fortschritt dienen,
bleiben vorbehalten.

Zusätzlich erhältlich Zubehör

MDR-Kopfhörerserie von Sony

24^D | Zusätzliche Informationen

Index

A

Aufnehmen auf eine
Kassette 10
Auswählen der Stromquelle
16
Auswählen von Titeln 5

B

Batterien
für Fernbedienung 16
für Gerät 17

C

CD-Player 12

D

Display 12

E

Einstellen
Klang 18
Klangbetonung 18
Entmagnetisieren der
Tonköpfe 23
Erstellen eines eigenen
Programms 15

K

Klangbetonung 18

L

LOOP-Funktion 14

M

MEGA BASS 18

P

Program Play 15

R

Radioempfang 6
Reinigen
Gehäuse 23
Tonköpfe und
Bandtransportweg 23
Repeat Play 14

S

Spannungswählschalter 16
Störungsbehebung 21
Stromquellen 16

T

TONE 18

V

Verbessern des
Radioempfangs 7
Vorbereitungen 16

W

Wiedergabe
einer CD 4
einer Kassette 8
wiederholen 14
Wiedergeben eines
bestimmten Titels 13

