

# Installation

## Precautions

- Do not tamper with the four holes on the upper surface of the unit. They are for tuner adjustments to be done only by service technicians.
- Choose the installation location carefully so that the unit will not hamper the driver during driving.
- Avoid installing the unit where it would be subject to high temperatures, such as from direct sunlight or hot air from the heater, or where it would be subject to dust, dirt or excessive vibration.
- Use only the supplied mounting hardware for a safe and secure installation.

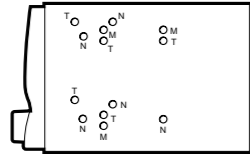
## Mounting angle adjustment

Adjust the mounting angle to less than 20°.

## Mounting the unit in a Japanese car

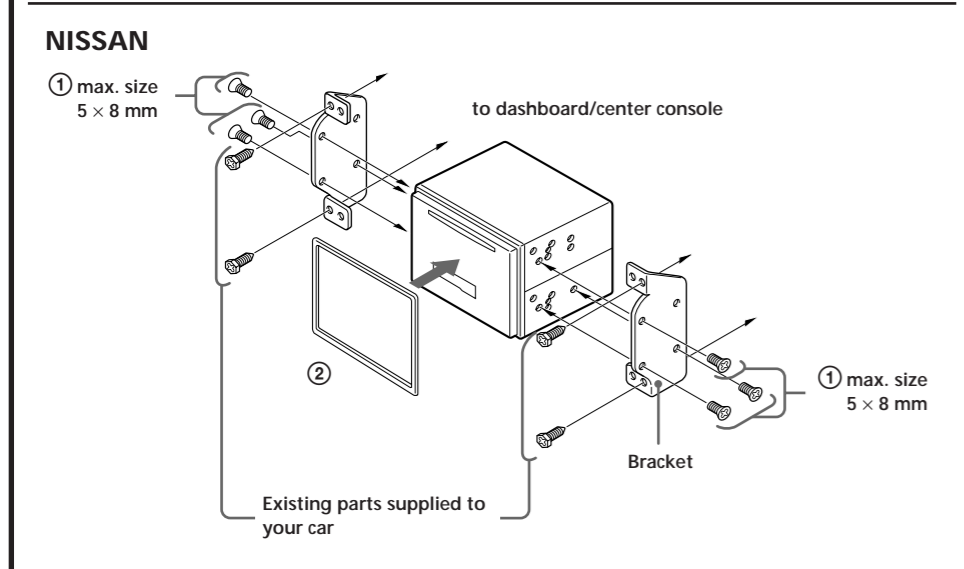
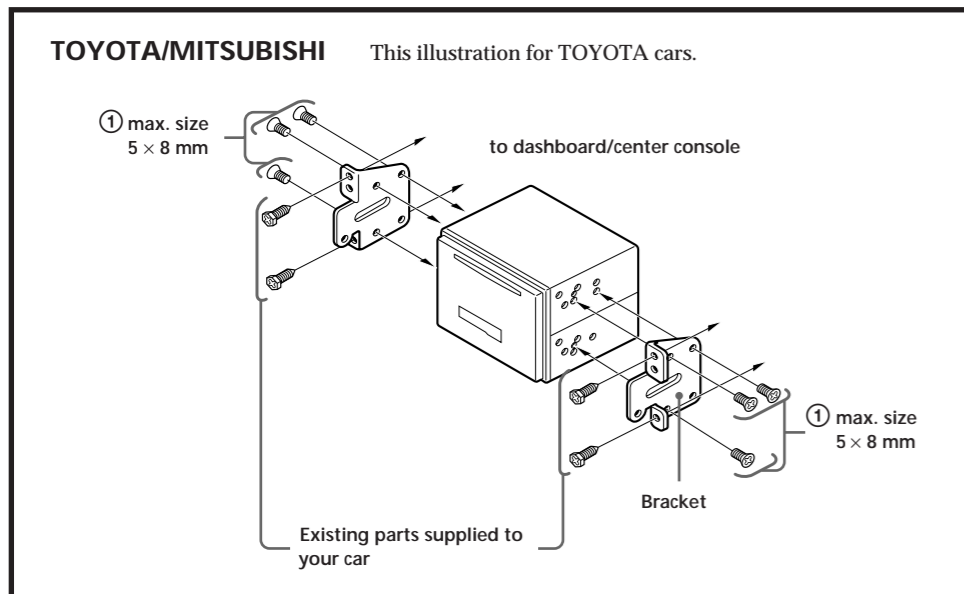
You may not be able to install this unit in some makes of Japanese cars. In such a case, consult your Sony dealer.

When you mount the supplied bracket to this unit, use the supplied screws ① from this unit and mount to the appropriate mount holes for your vehicle: T (for TOYOTA), M (for MITSUBISHI) and N (for NISSAN).



### Notes

- Do not use excessive force on the buttons of the unit.
- Do not push on the display window.
- Before mounting, make sure there is nothing on top of the unit.

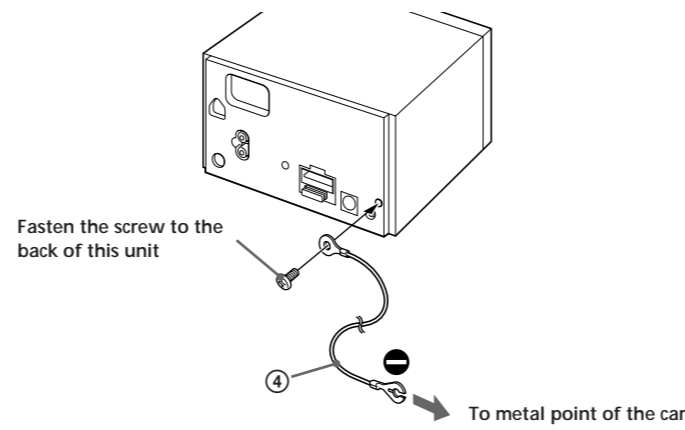


### Note

To prevent malfunction, install only with the supplied screws ①.

### Note for connecting

If there is alternator noise (a whining sound when raising engine speed), earth the this unit by connecting it to a metal point of the car with the supplied chassis ground cord ④. Connect the ground cord to the this unit with the screw to the back of this unit as shown in the illustration.



**SONY**

# Changer Control Audio Master

Installation/Connections

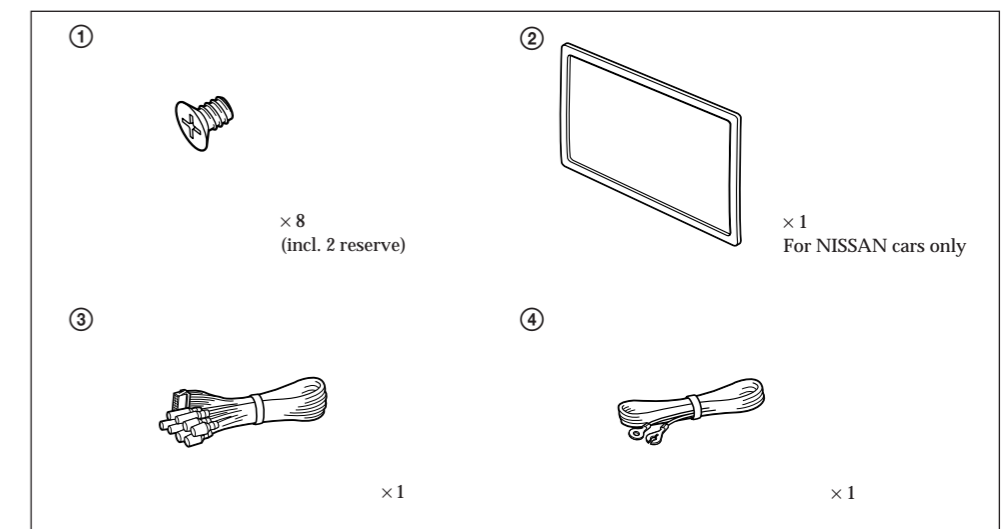
COMPACT  
disc  
DIGITAL AUDIO

WX-C570

Sony Corporation © 1997 Printed in Japan

## Parts for installation and connections

The numbers in the list are keyed to those in the instructions.



# Connections

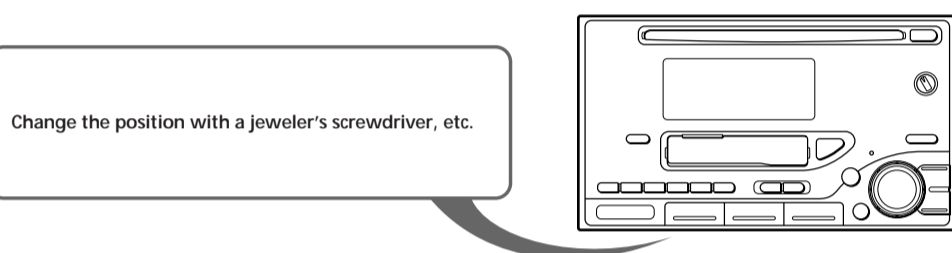
## Caution

This unit is designed for negative ground 12 V DC operation only. Before making connections, disconnect the ground terminal of the car battery to avoid short circuits. Connect the yellow and red power input leads only after all other leads have been connected. Be sure to connect the red power input lead to the positive 12 V power terminal which is energized when the ignition key is in the accessory position. Run all ground wires to a common ground point. Connect the yellow cord to a free car circuit rated higher than the unit's fuse rating. If you connect this unit in series with other stereo components, the car circuit they are connected to must be rated higher than the sum of the individual component's fuse rating. If there are no car circuits rated as high as the unit's fuse rating, connect the unit directly to the battery. If no car circuits are available for connecting this unit, connect the unit to a car circuit rated higher than the unit's fuse rating in such a way that if the unit blows its fuse, no other circuits will be cut off. The use of optical instruments with this product will increase eye hazard.

## If your car has no accessory position on the ignition key switch

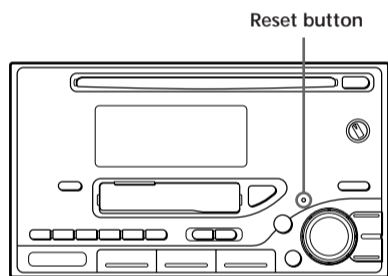
the illumination on the front panel is factory-set to be turned on even when the unit is not being played. However, this setting may cause some car battery wear if your car has no accessory position on the ignition key switch. To avoid this battery wear, set the POWER SELECT switch located on the bottom of the unit to the **0** position, then press the reset button. The illumination is reset to stay off while the unit is not being played.

**Note**  
The caution alarm for the front panel is not activated when the POWER SELECT switch is set to the **0** position.



## Reset button

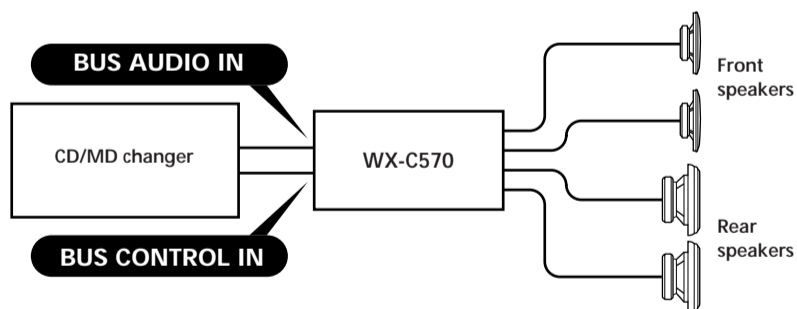
When the installation and connections are over, be sure to press the reset button with a ballpoint pen.



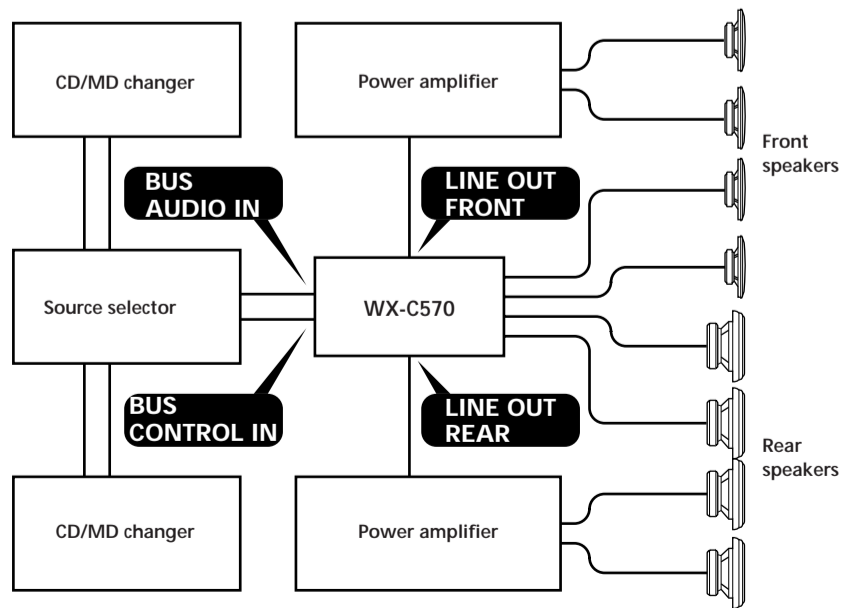
## Connection diagram

For connecting two or more changers, the source selector XA-C30 (optional) and the BUS cable RC-61 (1 m) or RC-62 (2 m) (optional) are necessary.

### Example 1



### Example 2



## Connection example

