

## Radio Cassette Player

### Operating Instructions

**sports**  
**WALKMAN**

WALKMAN is a registered trademark of Sony Corporation.

WM-FS595/FS593

Sony Corporation ©1998 Printed in China

### For customers in the United States

#### Owner's Record

The model number is located at the bottom and the serial number is located inside the cassette holder. Record the model and serial numbers in the spaces provided below. Refer to these numbers whenever you call upon your Sony dealer regarding this product.

Model No. \_\_\_\_\_ Serial No. \_\_\_\_\_

#### INFORMATION

This equipment has been tested and found to comply with the limits for a Class B digital device, pursuant to Part 15 of the FCC Rules. These limits are designed to provide reasonable protection against harmful interference in a residential installation. This equipment generates, uses, and can radiate radio frequency energy and, if not installed and used in accordance with the instructions, may cause harmful interference to radio communications. However, there is no guarantee that interference will not occur in a particular installation. If this equipment does cause harmful interference to radio or television reception, which can be determined by turning the equipment off and on, the user is encouraged to try to correct the interference by one or more of the following measures:

- Reorient or relocate the receiving antenna.
- Increase the separation between the equipment and receiver.
- Connect the equipment into an outlet on a circuit different from that to which the receiver is connected.
- Consult the dealer or an experienced radio/TV technician for help.

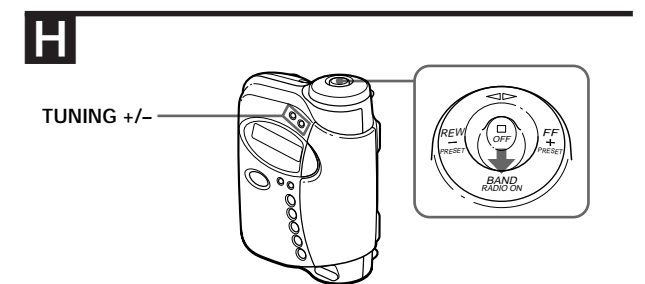
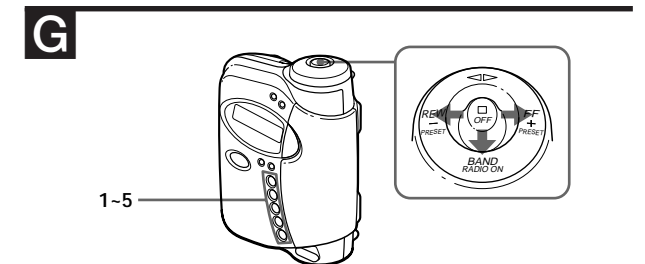
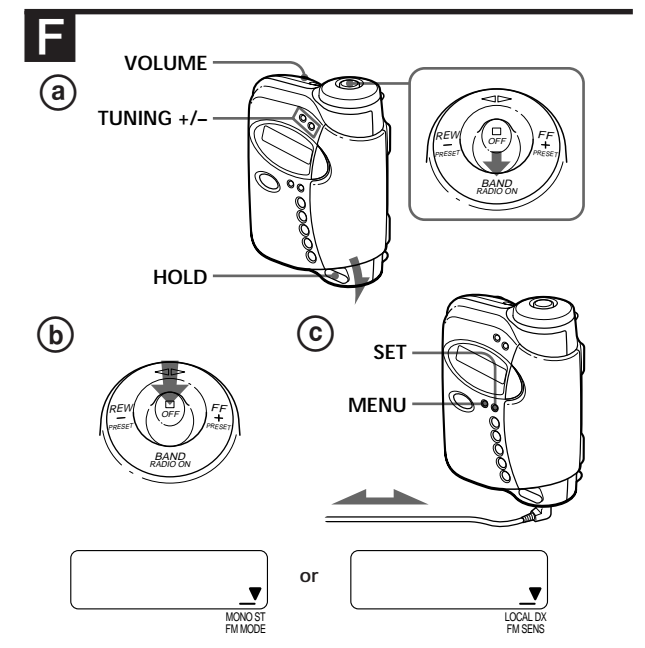
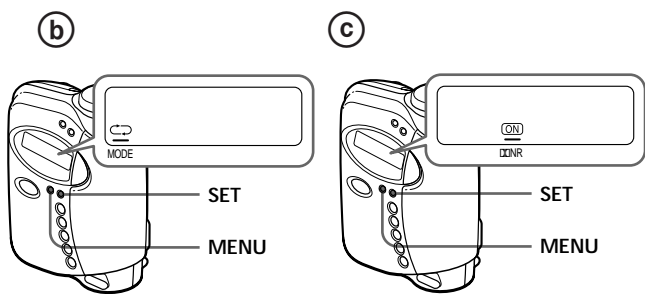
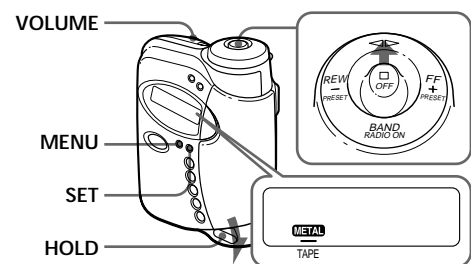
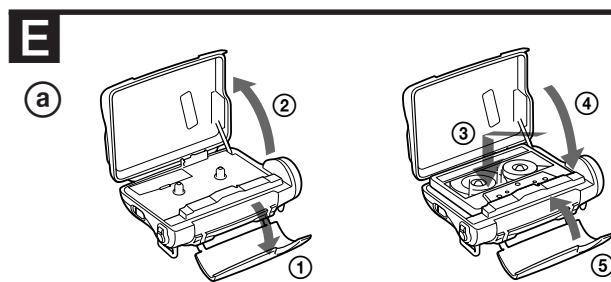
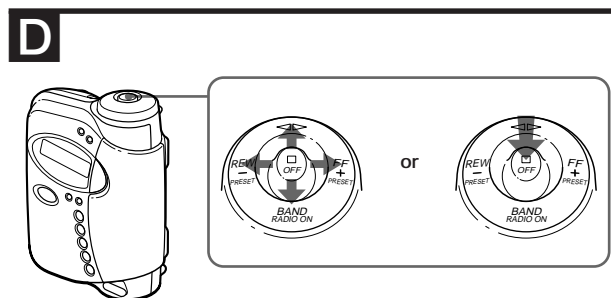
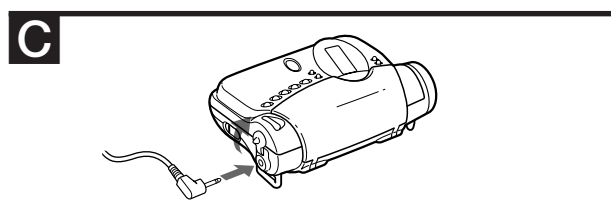
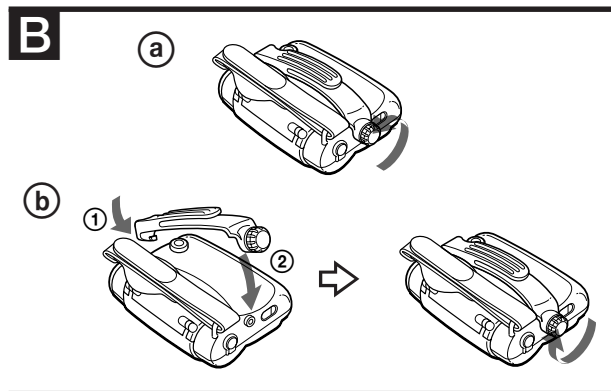
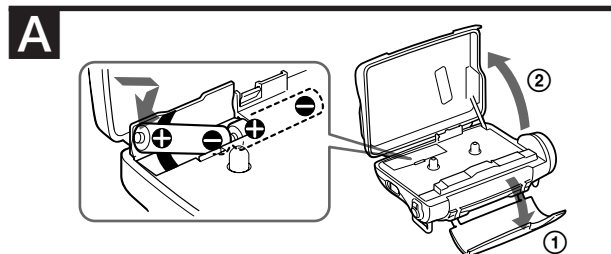
This device complies with Part 15 of the FCC Rules. Operation is subject to the following two conditions:

- (1) This device may not cause harmful interference, and
- (2) this device must accept any interference received, including interference that may cause undesired operation.

You are cautioned that any changes or modifications not expressly approved in this manual could void your authority to operate this equipment.

## About This Manual

The instructions in this manual are for WM-FS595 and WM-FS593. Before you start reading, check your model number. WM-FS595 is the model used for illustration purposes. Any differences in operation are clearly indicated in the text, for example, "FS595 only".



## ▶ Getting Started

### Preparing a Power Source

#### Dry Battery (see Fig. A)

Open the cassette holder and open the battery compartment lid, and insert two size AA (R6) dry batteries with correct polarity.

#### When to replace the batteries

Replace the batteries when "□" flashes in the display. The battery remainder mark has 3 steps to show the remaining battery power.

The battery power is full.



The battery power is decreasing.



The batteries are exhausted. Replace them with new ones.



#### Notes

- The battery remainder mark may temporarily show a lower level during fast forwarding or rewinding or use in extremely low temperatures.
- When replacing batteries, replace both batteries within 30 seconds; otherwise all the memories including the preset radio stations will be canceled.

	Battery life (Approximate hours) (EIAJ*)	
	Tape playback	Radio reception
Sony alkaline LR6 (SG)	24	38
Sony R6P (SR)	7.5	14

\* Measured value by the standard of EIAJ (Electronic Industries Association of Japan). (Using a Sony HF series cassette tape)

#### Note

- The battery life may shorten depending on the operation of the unit.

For maximum performance we recommend that you use alkaline batteries.

## Using the belt clip

With the supplied belt clip, you can wear your Walkman on a belt for convenient use.

### To remove the belt clip (see Fig. B-**a**)

### To attach the belt clip (see Fig. B-**b**)

## Connecting the Headphones/ Earphones (see Fig. C)

- 1 Connect the headphones/earphones to ◻.
- 2 Wear the "L" marked side to the left ear and the "R" marked side to the right ear.

## ▶ Operating the Walkman

## How to Use the Control-Pad (see Fig. D)

Push the Control-Pad in any of the four directions or press down the ■OFF button for various operations.

## Playing a Tape (see Fig. E-**a**)

- 1 Open the cassette holder and insert a cassette. Then close the cassette holder and lock the buckle.
- 2 Make sure the HOLD function is turned off. If it is on, slide the HOLD switch to turn it off.
- 3 Press MENU repeatedly to set the cursor to TAPE in the display. Then press SET to select the tape type. No message: normal (TYPE I) METAL: CrO<sub>2</sub> (TYPE II) or metal (TYPE IV)
- 4 Push the Control-Pad toward ◀▶ (play) to start playing. Then adjust the volume.

To	Operation on the Control-Pad (see Fig. D)
play the other side	Push toward ▶◀ (play) during playback
stop playback	Press down ■OFF (stop)
fast forward	Push toward FF during stop
rewind	Push toward REW during stop
play the other side from the beginning (Skip Reverse function)	Push toward FF during playback
play the same side from the beginning (Rewind Auto Play function)	Push toward REW during playback

### To select playback mode (see Fig. E-**b**)

Press MENU repeatedly to set the cursor to MODE in the display. Then press SET to select the desired mode.

To play	Select
both sides repeatedly	↻
both sides once from the side facing the cassette holder	↶

### To play a tape recorded with Dolby\* NR system (FS595 only) (see Fig. E-**c**)

Press MENU repeatedly to set the cursor to ◻ NR (Dolby noise reduction) in the display. Then press SET to show "ON".

\* Dolby noise reduction manufactured under license from Dolby Laboratories Licensing Corporation. "DOLBY" and the double-D symbol ◻ are trademarks of Dolby Laboratories Licensing Corporation.

## Listening to the Radio

(see Fig. E-**a**)

- 1 Make sure the HOLD function is turned off. If it is on, slide the HOLD switch to turn it off.
- 2 Push the Control-Pad toward BAND/RADIO ON to turn on the radio.
- 3 Push the Control-Pad toward BAND/RADIO ON repeatedly to select FM1, FM2, FM3, or AM.
- 4 Press TUNING+/- to tune in to the desired station. If you keep pressing TUNING+/- for a few seconds, the Walkman will start tuning to the stations automatically.

### To turn off the radio (see Fig. E-**b**)

Press down ■OFF of the Control-Pad.

### To improve the broadcast reception

- For FM (see Fig. E-**c**): Extend the headphones/earphones cord, the aerial. If the reception is still not good, press MENU repeatedly to set the cursor to FM MODE or FM SENS in the display. Then press SET to choose the mode for best reception.
- For AM: The Walkman has a built-in antenna. Reorient the Walkman horizontally to obtain optimum AM reception.

#### Note

- Do not remove the power sources while listening to the radio, or the received stations may not be stored.

## Presetting Radio Stations (see Fig. G)

You can store radio stations into the unit's memory. You can preset up to 20 radio stations, 5 for each FM1, FM2, FM3 or AM bands.

- 1 Tune in to the station you wish to store. (Follow steps 1-4 in "Listening to the Radio")
- 2 Press and hold one of the 1-5 buttons for more than 2 seconds. The display flashes twice with a beep sound, and the station is preset. If a station is already stored, the new station replaces the old one.

### To play the preset radio stations

- 1 Push the Control-Pad toward BAND/RADIO ON to select the band.
- 2 Press the corresponding button (1-5) on the unit.

## Receiving Stations Outside Your Country (Excluding models for Europe and Saudi Arabia) (see Fig. H)

The frequency range differs depending on the area (see the chart "Area indication and frequency range"). If you listen to the radio in an area of different frequency range, change the area indication in the display.

- 1 Turn on the radio and push the Control-Pad toward BAND/RADIO ON for more than 10 seconds until the area indication flashes in the display.
- 2 While the display is flashing, press TUNING +/- to select either "U" or "E" indication.
- 3 Push the Control-Pad toward BAND/RADIO ON to set the area indication.

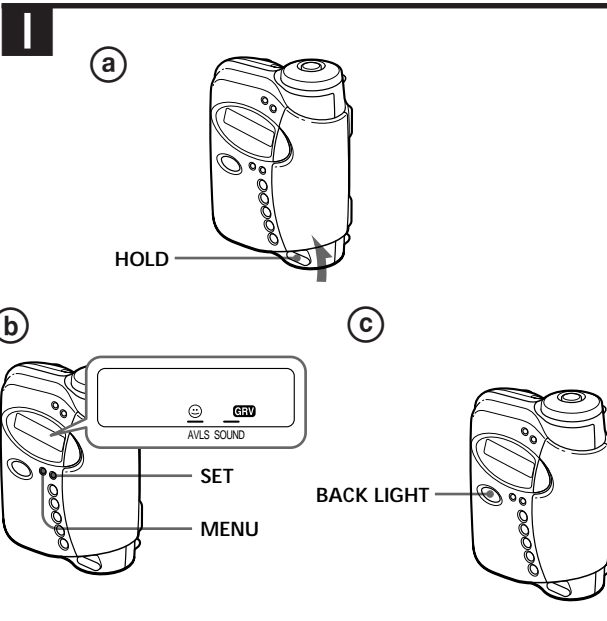
#### Note

- If you change the frequency range, all the preset stations will be canceled.

### Area indication and frequency range

Area*	Frequency range	
	FM (MHz)	AM(kHz)
E	87.5-108	531-1,602
U	87.5-108	530-1,710

\* E: European and other countries  
U: USA, Canada, and Central and South America



## Using Other Functions

### To lock the controls (see Fig. I-**a**)

Set the HOLD switch to the direction of the arrow to lock the controls.

### To emphasize bass sound (see Fig. I-**b**)

Press MENU repeatedly to set the cursor to SOUND in the display. Then, press SET to select the desired mode. With each press, the indication changes as follows.

MB (MEGA BASS) : emphasizes bass sound  
 GRV (GROOVE) : emphasizes deeper bass sound  
 No message: off (normal)

#### Notes

- If the sound is distorted with the mode “GRV”, select the mode “MB” or no message.
- Bass emphasis may not show great effect if the volume is turned up too high.

### To protect your hearing—AVLS (Automatic Volume Limiter System) function (see Fig. I-**b**)

When you set the AVLS function to active, the maximum volume is kept down to protect your ears.

Press MENU repeatedly to set the cursor to AVLS in the display. Then press SET to show “☺”.

#### Notes

- If the sound is distorted when you listen to the bass-boosted sound with the AVLS function, turn down the volume.
- The AVLS setting may be canceled when you replace the batteries.

### To see the display in the dark (see Fig. I-**c**)

Press BACK LIGHT. The backlight will illuminate the display for use in the dark. The display will glow for about 5 seconds for each operation. The BACK LIGHT button will operate even if the HOLD function is on.

## Using the Flasher (FS595 for U.S.A. and Canada only)

### To install the lithium battery (see Fig. I-**a**)

Before using the flasher for the first time, open the battery compartment lid and insert one CR2025 lithium battery (supplied) with the correct polarity.

#### Note

- Be sure to close the battery compartment firmly after inserting the battery.

### When to replace the lithium battery

Replace the lithium battery when the light of the flasher dims.

#### Battery life (Approximate hours)\*

Sony lithium battery CR2025	80
-----------------------------	----

\* When using at 20°C (68°F) without turning off.

#### Note

- The battery life may shorten depending on the operation of the unit.

### Notes on lithium battery

- Keep the lithium battery out of reach of children. Should the battery be swallowed, immediately consult a doctor.
- Wipe the battery with a dry cloth to assure good contact.
- Be sure to install the battery in the correct polarity position.
- Do not hold the battery with metallic tweezers, as doing so may cause a short-circuit.
- Do not break up the battery or throw it into a fire, which might cause it to explode. Carefully dispose of the used battery.

### To attach the flasher to the handstrap

(see Fig. I-**b**)

### To use the flasher (see Fig. I-**c**)

Press the power switch. Each time you press it the light changes as follows: flash → continuous light → off

## Additional Information

## Precautions

### On batteries

- Do not charge a dry battery.
- Do not carry the dry or rechargeable batteries with coins or other metallic objects. It can generate heat if the positive and negative terminals of the batteries are accidentally contacted by a metallic object.
- When you do not use the Walkman for a long time, remove the battery to avoid any damage caused by battery leakage and subsequent corrosion.

### On the unit

- Do not drop the unit or give a shock to the unit, or it may cause a malfunction.
- Do not leave the unit in a location near heat sources, or in a place subject to direct sunlight, excessive dust or sand, moisture, rain, mechanical shock, or in a car with its windows closed.
- Do not wind the headphones/earphones cord around the unit. The buttons may be kept pressed, causing unnecessary battery usage.
- The LCD display may become hard to see or slow down when using the unit at high temperatures (above 40°C/104°F) or at low temperatures (below 0°C/32°F). At room temperature, the display will return to its normal operating condition.
- If the unit has not been used for long, set it in the playback mode and warm it up for a few minutes before inserting a tape.

### On water resistance

- Before opening or closing the cassette holder, be sure to wipe off water, dust or sand on the exterior of the Walkman. (The Walkman is not water-resistant with the cassette holder open.)
- Since water in the headphones/earphones jack may cause rust, cover it with the attached rubber cap when the headphones/earphones are not in use.
- Since the Walkman is airtight, you may not be able to open the cassette holder because of sudden change in air pressure inside the Walkman, which happens after being transported on a plane or moving from a warm place to a cold place. To open the cassette holder, see “Troubleshooting”.
- The supplied headphones/earphones are not meant to be immersed in water or come in continuous contact with water. If they are accidentally dropped into water or get wet, dry them with a soft cloth. Never use an electric hair dryer.
- If the Walkman or the headphones/earphones are immersed in salt water, be sure to wash them in non-running fresh water. Never wash them under running water, and never use soap or detergent.
- Any sand or dust on the rubber packing will prevent the cassette holder from closing tightly, and water may leak in. Brush off the dust once in a while.
- We recommend the packing to be changed every year. Replacement packing is available at an authorized Sony Service Facility.

### On tapes longer than 90 minutes

We do not recommend the use of tapes longer than 90 minutes except for a long continuous playback. They are very thin and tend to be stretched easily.

### On headphones/earphones

#### Road safety

Do not use headphones/earphones while driving, cycling, or operating any motorized vehicle. It may create a traffic hazard and is illegal in some areas. It can also be potentially dangerous to play your headphones/earphones at high volume while walking, especially at pedestrian crossings. You should exercise extreme caution or discontinue use in potentially hazardous situations.

#### Preventing hearing damage

Do not use headphones/earphones at high volume. Hearing experts advise against continuous, loud and extended play. If you experience a ringing in your ears, reduce volume or discontinue use.

#### Caring for others

Keep the volume at a moderate level. This will allow you to hear outside sounds and to be considerate to the people around you.

If you have any questions or problems concerning your unit, please consult your nearest Sony dealer.

## Troubleshooting

### The volume cannot be turned up.

- If “☺” appears for AVLS display, press SET so that “☺” disappears.

### The sound is unstable or no audio.

- Insert two size AA (R6) batteries properly.
- Replace all batteries if they are weak.

### The display shows incorrect information.

- The batteries are weak. Replace the batteries with new ones.

### The cassette holder cannot be opened.

- Open the rubber cap, then open the cassette holder. If the belt clip is attached, remove it first. When the cassette holder opens, remember to close the rubber cap to prevent intrusion of water (see Fig. K).

## Maintenance

### To clean the tape heads and path

Use the cleaning cassette CHK-1 (not supplied) every 10 hours of use.

#### Note

Use only the recommended cleaning cassette.

### To clean the exterior

Use a soft cloth slightly moistened with water. Do not use alcohol, benzine or thinner.

#### Note

- Clean the headphones/earphones plug periodically.

## Specifications

### Radio section

Frequency range  
 FM: 87.5–108 MHz  
 AM: 530–1,710 kHz (North, Central and South America)  
 531–1,602 kHz (Other countries)

### Tape section

Frequency response (Dolby NR off)  
 Playback: 30–14,000 Hz

### Output

☞ (Headphones/earphones) jack  
 Load impedance 8–300 ohms

### General

#### Power requirements

3 V  
 Two size AA (R6) batteries

#### Dimensions (w/h/d)

Approx. 96.5 x 130.6 x 47.8 mm (3<sup>7</sup>/<sub>8</sub> x 5<sup>1</sup>/<sub>4</sub> x 1<sup>15</sup>/<sub>16</sub> inches) incl. projecting parts and controls

#### Mass

Approx. 295 g (10.5 oz)/Approx. 370 g (13.1 oz) incl. batteries and a cassette

#### Supplied accessories

Stereo headphones or Stereo earphones (1)  
 Belt clip (1)  
 Flasher (1) (FS595 for U.S.A. and Canada only)  
 Sony CR2025 lithium battery (1) (FS595 for U.S.A. and Canada only)

Design and specifications are subject to change without notice.

This warranty is valid only in the United States.

