

Personal Component System

Operating Instructions



PMC-222V

Warning

To prevent fire or shock hazard, do not expose the player to rain or moisture.

To avoid electrical shock, do not open the cabinet. Refer servicing to qualified personnel only.

WARNING

Do not install the appliance in a confined space, such as a bookcase or built-in cabinet.

This player can play the following discs:

- VIDEO CD

Disc logo:



Contents: Audio & video signals

- Audio CD

Disc logo:



Contents: Audio signals only

There are 2 types of CDs in size — 12 cm and 8 cm. Their longest play time is 74 and 20 minutes respectively. The actual play time, however, varies among the CDs.

Note on VIDEO CDs

This player conforms to Version 1.1 and 2.0 of VIDEO CD standards. You can enjoy two kinds of playback according to the CD type.

Disc type	You can
VIDEO CDs without PBC functions (Version 1.1)	enjoy video playback (moving pictures) as well as music.
VIDEO CDs with PBC functions (Version 2.0)	enjoy various play modes. On some Version 2.0 CDs, for instance, play interactive software using menus displayed on the TV screen, in addition to the usual video playback. Also play high-resolutive still pictures using specific types of CDs.

Table of contents

Basic Operations

- 4 Playing an audio CD
- 6 Playing a VIDEO CD
- 8 Listening to the radio
- 10 Playing a tape
- 12 Recording on a tape

The CD Player (Audio CD)

- 14 Using the display
- 15 Locating a specific track
- 16 Playing tracks repeatedly
(Repeat Play)
- 17 Playing tracks in random order
(Shuffle Play)
- 18 Creating your own program
(Program Play)
- 20 Playing a multiplex CD

The CD Player (VIDEO CD)

- 21 Using the TV screen
- 22 Locating a specific track or scene
- 23 Playing a VIDEO CD with PBC
functions

The Radio

- 24 Presetting radio stations
- 25 Playing preset radio stations

The Tape Player

- 26 Recording through a
microphone/Using as a PA
system

The KARAOKE

- 27 Singing along the KARAOKE

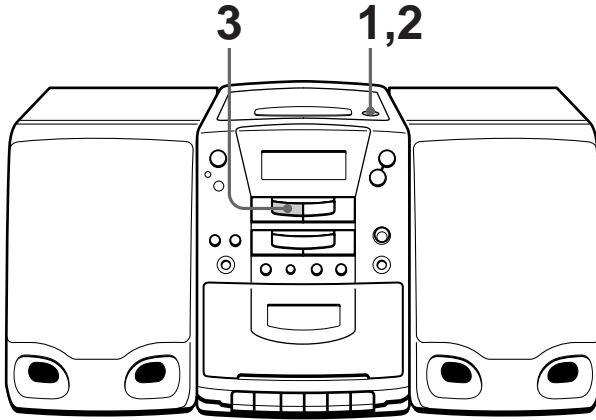
Setting Up

- 28 Hooking up the system
- 31 Selecting the audio emphasis
(Sound Mode/MEGA BASS)

Additional Information

- 32 Precautions
- 34 Troubleshooting
- 37 Maintenance
- 38 Specifications
- 39 Glossary
- Back cover
- Index

Playing an audio CD

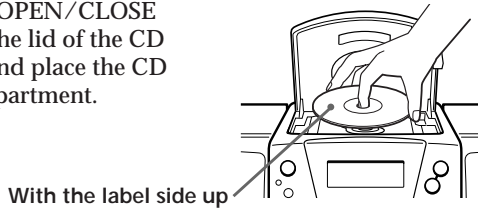


For hookup instructions, see pages 28 - 30.

1



Press **6** PUSH OPEN/CLOSE down to open the lid of the CD compartment and place the CD on the CD compartment.



2



Close the lid of the CD compartment.



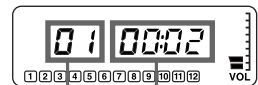
3



Press **^** (direct power-on).

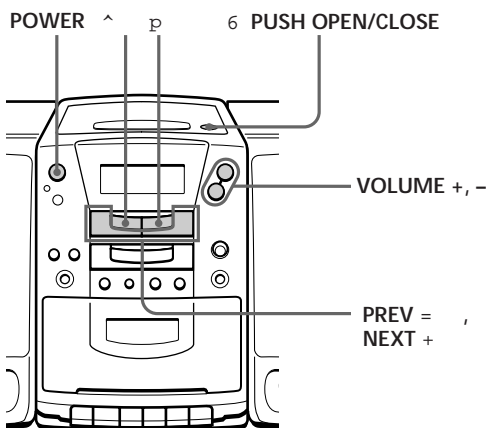
The player plays all the tracks once.

Display



Track number Playing time

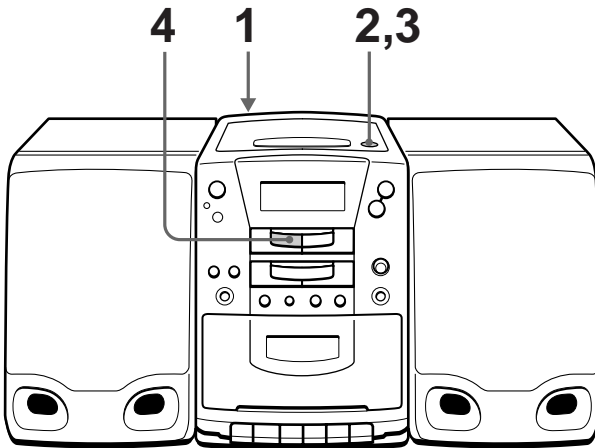
Use these buttons for additional operations

**Tip**

Next time you want to listen to a CD, just press ^ . The player turns on automatically and starts playing the CD.

To	Press
adjust the volume	VOLUME +, -
stop playback	P
pause playback	^ Press the button again to resume play after pause.
go to the next track	NEXT +
go back to the previous track	PREV =
remove the CD	6 PUSH OPEN/CLOSE
turn on/off the player	POWER

Playing a VIDEO CD



For hookup instructions, see pages 28 - 30.

1

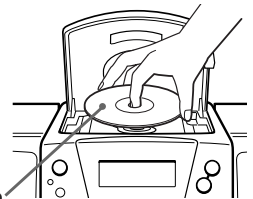


Set the COLOR SYSTEM at the rear to "NTSC" or "PAL" according to the color system of your TV.

2



Press \odot PUSH OPEN/CLOSE down to open the lid of the CD compartment and place the VIDEO CD on the CD compartment.



With the label side up

3



Close the lid of the CD compartment.



4

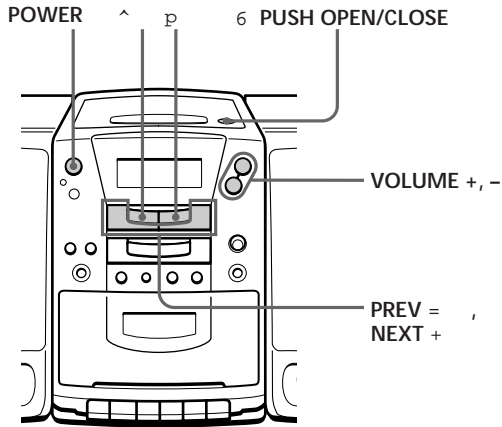


Press **^** (direct power-on).
The player starts playing the VIDEO CD.

Display



Use these buttons for additional operations



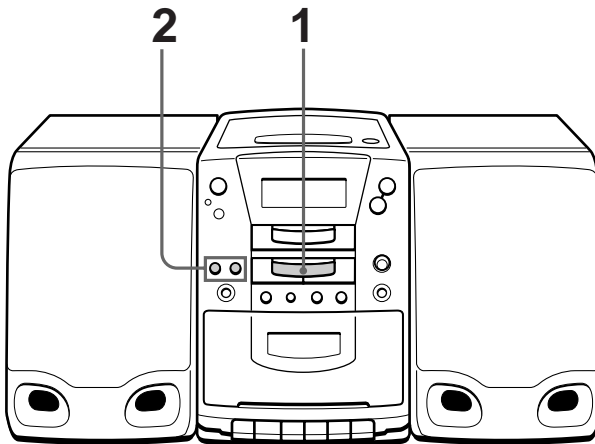
Tips

- Next time you want to play a VIDEO CD, just press **^**. The player turns on automatically and starts playing the VIDEO CD.
- NTSC system countries: Japan, Korea, Taiwan, the U.S.A., etc.
PAL system countries: China, India, Indonesia, Singapore, Malaysia, etc.

To	Press
adjust the volume	VOLUME +, -
stop playback	P
pause playback	^ Press the button again to resume play after pause.
go to the next track* or scene	NEXT +
go back to the previous track* or scene	PREV =
remove the CD	6 PUSH OPEN/CLOSE
turn on/off the player	POWER

*Only for VIDEO CDs without PBC functions (Version 1.1).

Listening to the radio



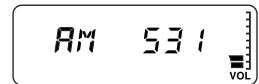
For hookup instructions, see pages 28 - 30.

1

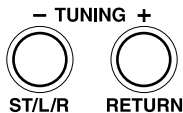


Press **BAND** until the band you want appears in the display (direct power-on).

Display



2

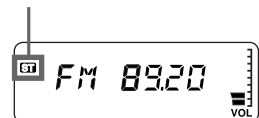


Hold down **TUNING +** or **-** until the frequency digits begin to change in the display.

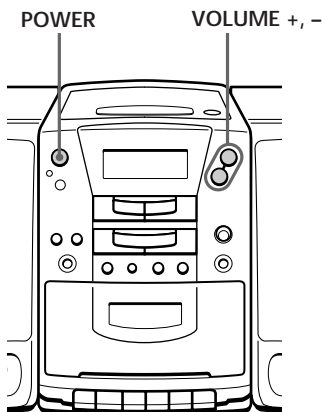
The player automatically scans the radio frequencies and stops when it finds a clear station.

If you can't tune in a station, press the button repeatedly and change the frequency step by step.

Indicates an FM stereo broadcast



Use these buttons for additional operations



Tips

- If the FM broadcast is noisy, press **PLAY MODE•MONO/ST** until "Mono" appears in the display and the radio will play in monaural.
- Next time you want to listen to the radio, just press **BAND**. The player turns on automatically and starts playing the previous station.

To	Press
adjust the volume	VOLUME +, -
turn on/off the radio	POWER

To improve broadcast reception

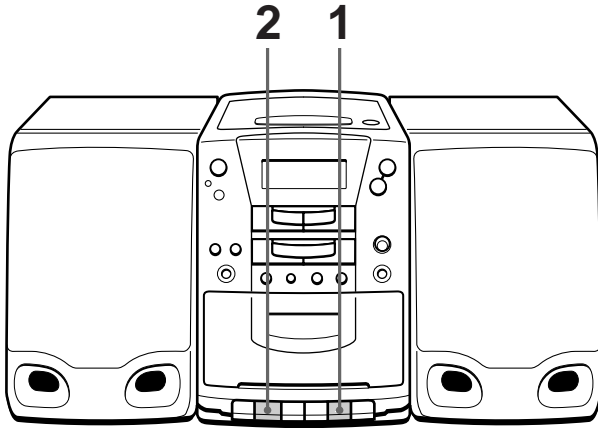
FM

Keep the FM aerial as horizontal as possible (see page 29).

AM

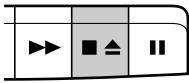
Keep the AM loop aerial (supplied) away as far as possible from the player and then reorient the aerial (see page 29).

Playing a tape

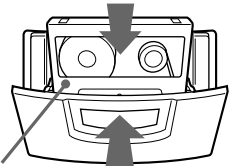


For hookup instructions, see pages 28 - 30.

1

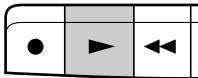


Press **p6** to open the tape compartment and insert a recorded tape. Use TYPE I (normal), TYPE II (high position) and TYPE IV (metal) tapes. Close the compartment.



With the side you want to play facing you

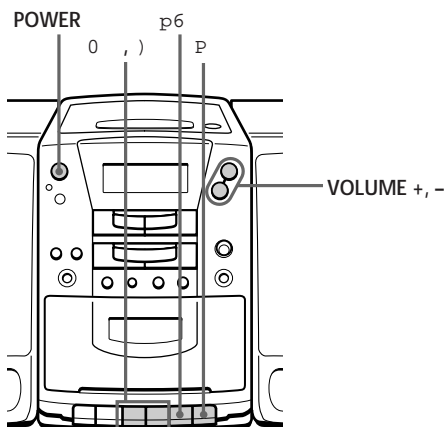
2



Press (.

The player turns on (direct power-on) and starts playing.

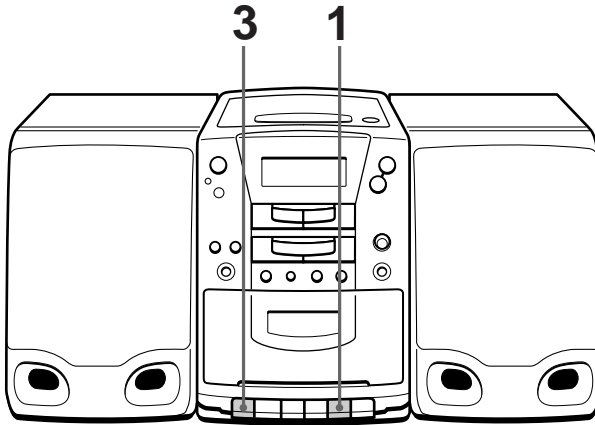
Use these buttons for additional operations

**Tip**

Next time you want to listen to a tape, just press (. The player turns on automatically and starts playing the tape.

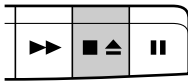
To	Press
adjust the volume	VOLUME +, -
stop playback	p6
fast-forward or rewind the tape) or 0
pause playback	P Press the button again to resume play after pause.
eject the cassette	p6
turn on/off the player	POWER

Recording on a tape

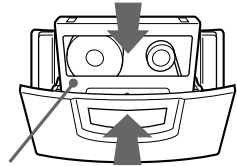


For hookup instructions, see pages 28 - 30.

1



Press **p6** to open the tape compartment and insert a blank tape. Use TYPE I (normal) and TYPE II (high position) tapes only.



With the side you want to record on facing you

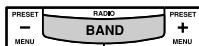
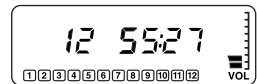
2



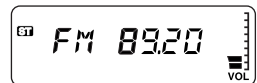
Select the program source you want to record.

To record from the CD player, insert a CD (see page 4) and press **p**.

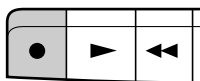
Display



To record from the radio, press **BAND** and tune in the station you want (see page 8).

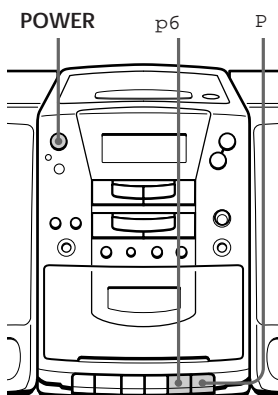


3



Press **r** to start recording. ((is depressed automatically and play starts.)

Use these buttons for additional operations



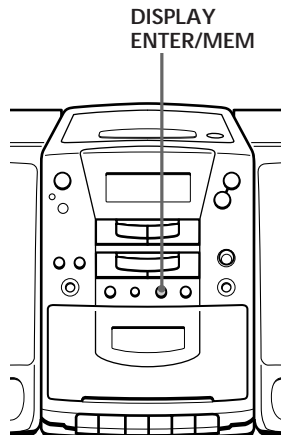
To	Press
stop recording	p6
pause recording	P Press the button again to resume recording.
turn on/off the player	POWER

Tips

- Adjusting the volume or the audio emphasis (see page 31) will not affect the recording level.
- If the AM program makes a whistling sound after you've pressed **r** in step 3, move the AM loop aerial connected to the player as far away as possible.
- To erase a recording, proceed as follows:
 - 1 Disconnect the microphone if connected to the MIX MIC jack.
 - 2 Turn on the power.
 - 3 Press FUNCTION on the remote until "TAPE" appears in the display.
 - 4 Press **r**.

Using the display

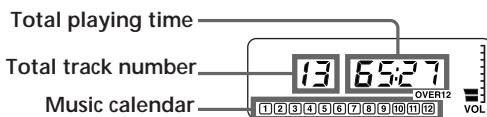
You can check information about the audio CD using the display.



Checking the total track number and playing time

Press DISPLAY•ENTER/MEM in stop mode.

If the CD has more than 12 tracks, "OVER 12" appears in the display.



Checking the remaining time

Press DISPLAY•ENTER/MEM while playing a CD.

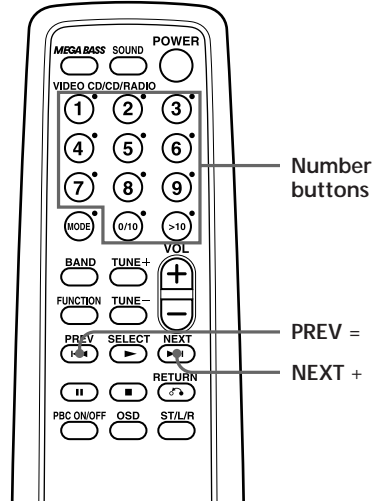
The track numbers in the music calendar disappear after they are played.

To display	Press DISPLAY•ENTER/MEM
the current track number and the remaining time on the current track*	once
remaining time on the CD and the number of tracks left	twice
the current track number and playing time	three times

* For a track whose number is more than 20 the remaining time appears as "--:--".

Locating a specific track

You can quickly locate any track using the number buttons. You can also find a specific point in a track while playing an audio CD.



Note

You cannot locate a specific track if "SHUF" or "PGM" is lit in the display. Turn off the indication by pressing **P**.

Tip

When you locate a track numbered over 10, press >10 first, then the corresponding number buttons.

Example:

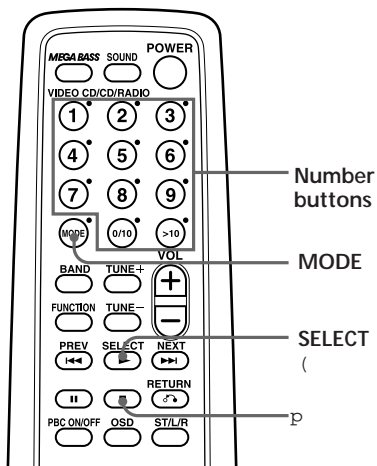
To play track number 23, press >10 first, then 2 and 3.

To locate	Press
a specific track directly	the number button of the track
a point while listening to the sound	NEXT + (forward) or PREV = (backward) while playing and hold down until you find the point
a point while observing the display	NEXT + (forward) or PREV = (backward) in pause and hold down until you find the point

Playing tracks repeatedly

(Repeat Play)

You can play tracks in an audio CD repeatedly in normal, shuffle or program play modes (see pages 17 – 19).



- 1 Press **p** .
“CD” appears in the display.
- 2 Press **MODE** (PLAY MODE•MONO/ST on the player) until the repeat mode you want appears in the display.

To repeat	Select
a single track	REP 1
all the tracks	REP ALL
tracks in random order	SHUF REP
programed tracks	PGM REP

- 3 Do either of the following to start repeat play:
 - When you’ve selected **REP1**, select the track by pressing the number button (pressing **PREV** = **<<** or **NEXT** + **>>** then **^** on the player).
 - When you’ve selected **REP ALL** or **SHUF REP**, press **SELECT** (**(** **^** on the player).
 - When you’ve selected **PGM REP**, program tracks (see step 3 on page 18), then press **SELECT** (**(** **^** on the player).

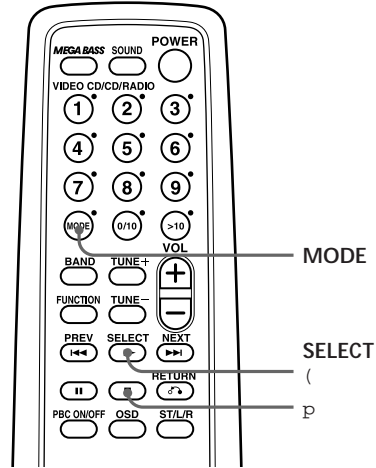
To cancel Repeat Play

Press **MODE** until “REP” disappears from the display.

Playing tracks in random order

(Shuffle Play)

You can play tracks in an audio CD in random order.



On the player

- 1 Press p .
- 2 Press PLAY MODE• MONO/ST repeatedly until “SHUF” appears in the display.
- 3 Press ^ .

- 1 Press p .
“CD” appears in the display.
- 2 Press MODE until “SHUF” appears in the display.
- 3 Press SELECT (to start shuffle play.

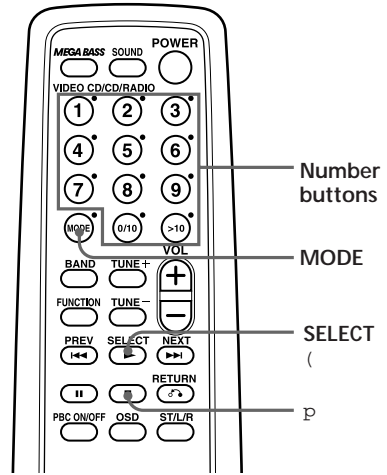
To cancel Shuffle Play

Press MODE until “SHUF” disappears from the display.

Creating your own program

(Program Play)

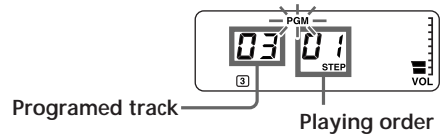
You can arrange the playing order of up to 20 tracks on an audio CD.



On the player

- 1 Press p .
- 2 Press PLAY MODE • MONO/ST until "PGM" appears in the display.
- 3 Press the PREV = or NEXT + then press DISPLAY • ENTER/MEM for the tracks you want to program in the order you want.
- 4 Press ^ .

- 1 Press p .
"CD" appears in the display.
- 2 Press MODE until "PGM" appears in the display.
- 3 Press the number buttons for the tracks you want to program in the order you want. You can program up to 20 tracks.



The programmed tracks appear in the music calendar.

- 4 Press SELECT () to start program play.

Tips

- You can play the same program again, since the program is saved until you turn off the power or open the lid of the CD compartment.
- You can record your own program. After you've created the program, insert a blank tape and press **r** to start recording.

To cancel Program Play

Press **MODE** until "PGM" disappears from the display.

To check the order of tracks before play

Press **DISPLAY**•**ENTER**/MEM on the player.

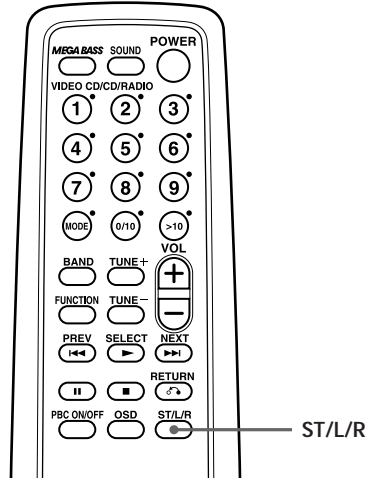
Every time you press the button, the track number appears in the programmed order.

To change the current program

Press **p** once if the CD is stopped and twice if the CD is playing. The current program will be erased. Then create a new program following the programming procedure.

Playing a multiplex CD

On multiplex CDs, different sounds are recorded for the left and right channels. You can select either the left or the right channel and hear the sound of the selected channel. In this case, the stereo effect will be lost.



Tip

You can do the same operation using a VIDEO CD.

Press ST/L/R while playing a multiplex CD.

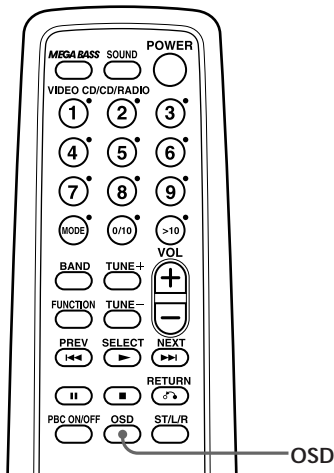
Each time you press the button, the indication and sound you hear change as follows:

Press	Indication	You will hear
once	L-CH	left channel sound
twice	R-CH	right channel sound
three times	STEREO	stereo sound

The initial setting is "STEREO."

Using the TV screen

You can check the operating status of the player and the information about the VIDEO CD on the TV screen.

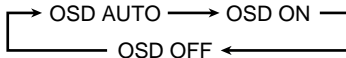


Notes

- While playing an audio CD, the OSD mode cannot be displayed on the TV screen.
- When you record the playback picture of this player on another VCR, etc., be sure to select "OSD OFF". Otherwise, the display information will also be recorded on the VCR.
- The OSD mode returns to "OSD AUTO" when you turn off the player by pressing POWER or open the lid of the CD compartment.

Press OSD.

Each time you press the button, the OSD (On-Screen Display) mode changes as follows:



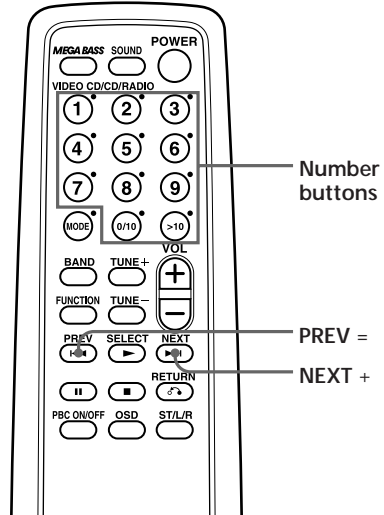
When "OSD AUTO" is selected, the operating status appears for a few seconds on the TV screen when you press a button or when the operating status is changed. When "OSD ON" is selected, the operating status is always displayed.

Various indications displayed on the TV screen

Indication	What it means
PBC ON	PBC mode has been switched to ON
PBC OFF	PBC mode has been switched to OFF
SELECT	Waiting for you to select something (For instance, at the time of menu display)
+	Locating the next or succeeding tracks or scenes
=	Locaing the current or preceding tracks or scenes
)	Searching forward
0	Searching backward
STEREO	Hearing stereo sound
L-CH	Hearing left channel sound
R-CH	Hearing right channel sound
INVALID	Inappropriate buttons were pressed

Locating a specific track or scene

While playing a VIDEO CD, you can quickly locate any track or specific point in a track by observing the TV screen.



Tip

When you locate a track or scene numbered over 10, press >10 first, then the corresponding number buttons.

Example:

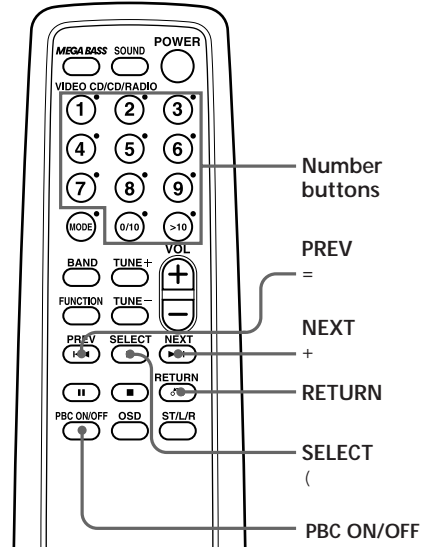
To play track (or scene) number 23, press >10 first, then 2 and 3.

To locate	Press
a specific track or scene directly (when "PBC OFF" is selected)	the number button of the track or scene
a point while monitoring the picture	NEXT + (forward) or the PREV = (backward) while playing and hold down until you find the point

Playing a VIDEO CD with PBC functions

Using the PBC functions, you can play a VIDEO CD with PBC functions (Version 2.0) (simple interactive software, software with search functions, etc.)

Refer also to the instructions supplied with the VIDEO CD, as the operating procedure may differ according to the VIDEO CD.



Tip

If you want to perform normal operations with a PBC VIDEO CD, select "PBC OFF."

Note

You cannot turn PBC ON/OFF after playback starts. Select "PBC ON" or "PBC OFF" before you press SELECT (.

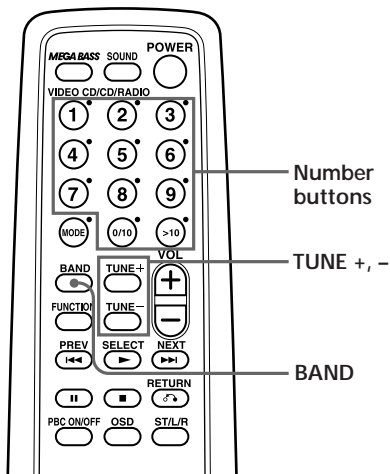
- 1 Insert a VIDEO CD with PBC functions.
- 2 Press PBC ON/OFF until "PBC ON" appears on the TV screen.
- 3 Press SELECT (.
PBC playback starts.
Follow the instructions or scenes appearing on the TV screen.

When	Press
you want to select an item number	the number buttons of the item you want, then SELECT (on the remote MENU + or - to select the item number, then ^ on the player
you want to go back to the top or the previous menus*	RETURN (The actual operation varies among the VIDEO CDs. Refer to the instructions supplied with the VIDEO CDs.)
you want to locate the next or succeeding scenes	NEXT +
you want to locate the previous or preceding scenes	PREV =

* Where to go back differs according to the VIDEO CD you are playing.

Presetting radio stations

You can store radio stations into the player's memory. You can preset up to 24 radio stations, 12 for each band in any order.



On the player

- 1 Press BAND to select the band.
- 2 Set the frequency to the station you want.
- 3 Hold down DISPLAY • ENTER / MEM for 2 seconds. "PRESET" and a preset number flash.
- 4 Decide on a preset number for the station (1 to 12) by pressing PRESET + or -.
- 5 Press DISPLAY • ENTER / MEM.

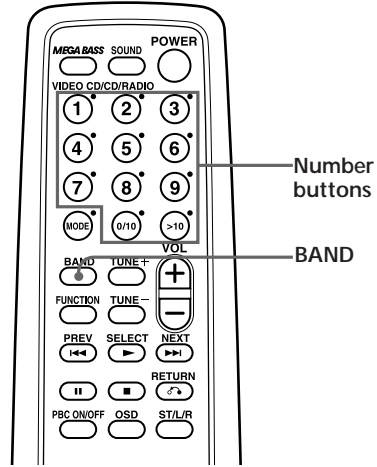
- 1 Press BAND to select the band.
- 2 Set the frequency to the station you want.
- 3 Hold down the number button that you want to preset the new station on for 2 seconds.

To select the preset number over 10, press >10 first, then the corresponding number buttons. You need to hold down the last number button to enter for 2 seconds. (Example: To select 12, press >10 and 1, then hold down 2 for 2 seconds.)

The new station replaces the old one.

Playing preset radio stations

Once you've preset the stations, use the number buttons on the remote or PRESET +/- on the player to tune in to your favorite stations.



On the player

- 1 Press BAND to select the band.
- 2 Press PRESET + or - to tune in the stored station.

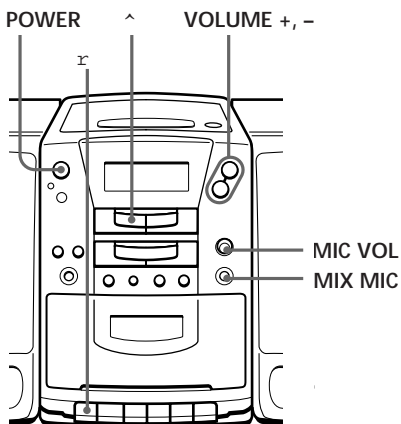
- 1 Press BAND to select the band.
- 2 Press the number buttons to tune in the stored station.

To tune in a preset station over 10, press >10 first, then the corresponding number buttons.

(Example: To tune in the preset station 11, press >10, and then press 1 and 1.)

Recording through a microphone/Using as a PA system

You can record sound using a microphone (not supplied) or use the player as a public address system.



Tip

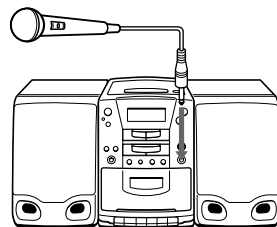
You can mix audio/VIDEO CD or radio sounds and record them by adding your voice or other audio through the microphone. (See "Singing along the KARAOKE" on page 27.)

Notes

- Acoustic feedback (howling) tend to occur when you use a microphone with echo function.
- If acoustic feedback (howling) occurs, turn down the volume or move the microphone away from the speaker.

Recording through a microphone

- 1 Plug the microphone into the MIX MIC jack and turn on the microphone if it has a power switch.
- 2 Turn on the power.
- 3 Press FUNCTION on the remote until "TAPE" appears in the display.
- 4 Insert a cassette for recording into the deck and press \square to start recording.

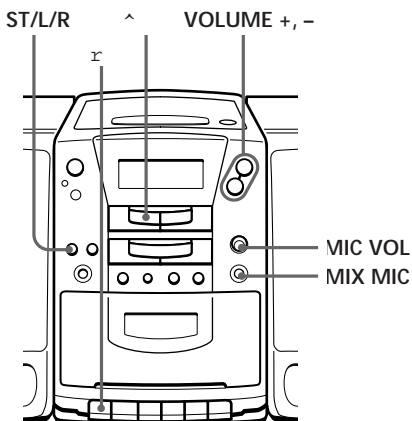


Using as a PA system

- 1 Do steps 1 - 3 above.
- 2 Sing or speak into the microphone and adjust the volume using MIC VOL or VOLUME +/-.

Singing along the KARAOKE

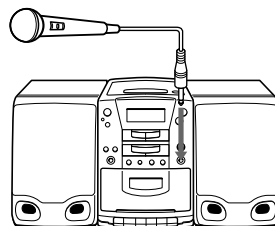
You can sing along the KARAOKE by using a microphone (not supplied) and a KARAOKE multiplex audio/VIDEO CD.



Notes

- Acoustic feedback (howling) tend to occur when you use a microphone with echo function.
- If acoustic feedback (howling) occurs, turn down the volume or move the microphone away from the speaker.

- 1 Plug the microphone into the MIX MIC jack and turn on the microphone if it has a power switch.



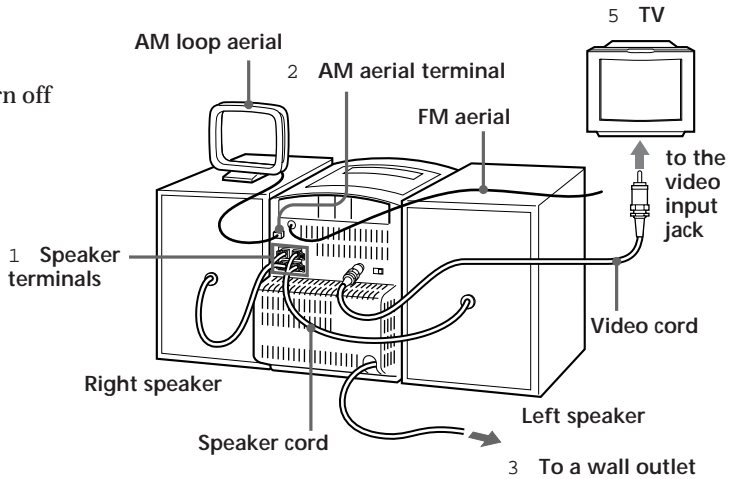
- 2 Insert a KARAOKE multiplex audio/VIDEO CD.
- 3 Press ^ .
Play starts.
- 4 Press ST/L/R repeatedly until you can hear the accompaniment from both speakers.
- 5 Adjust the microphone volume turning the MIC VOL (volume) control.
- 6 Adjust the volume of the player using VOLUME + or -.
- 7 Starts to sing.

To record KARAOKE sound and your voice

- 1 Insert a cassette for recording.
- 2 Do steps 1 to 6 above.
- 3 Press r ((is depressed automatically).

Hooking up the system

Make sure you turn off the power before making any connections.



Note

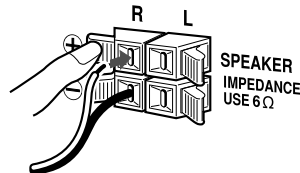
Connect the supplied speakers to this player. If you connect any other speakers or equipment, a malfunction may occur.

1 Hooking up the speakers

- 1** Twist the speaker cable coating and strip it from the end of the cable.

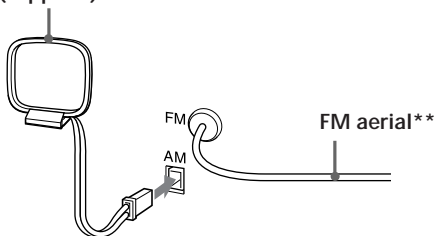


- 2** Connect the black wire to (-) minus and the red wires to (+) plus terminals: the right speaker wires to the R and the left speaker wires to the L terminals.



2 Hooking up the aerials

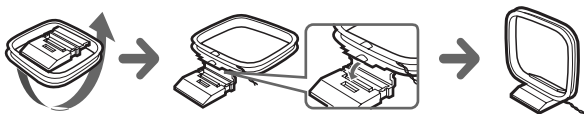
AM loop aerial
(supplied)*



*Reorient the aerial to improve broadcast reception.

**Keep the aerial as horizontal as possible.

Setting up the AM loop aerial



3 Connecting the AC power cord

Connect the AC power cord to the wall outlet.

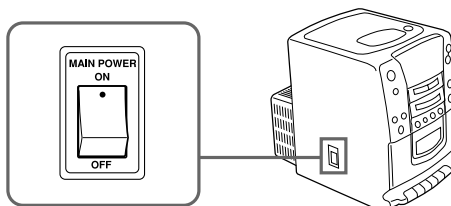
The POWER/STANDBY indicator lights up to indicate when the player is connected to the power source. The indicator lights regardless of whether the power is on or off.

Note

Be sure to turn off the power of the player before you set the MAIN POWER switch to OFF.

4 Setting the MAIN POWER switch

Set the MAIN POWER switch on the side of the player to ON.



continued

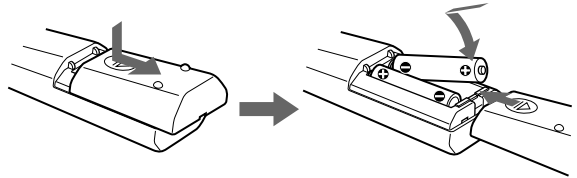
Hooking up the system (continued)

5 Connecting the TV

To use the VIDEO CD, connect the TV equipped with the video input jack in the following way:

- 1 Connect the supplied video cord to the VIDEO OUT jack of the player and the video input jack of the TV.
- 2 Turn on the TV and set the input mode selector on the TV to the proper position.

6 Inserting batteries into the remote



Insert two R6 (size AA) batteries (not supplied)

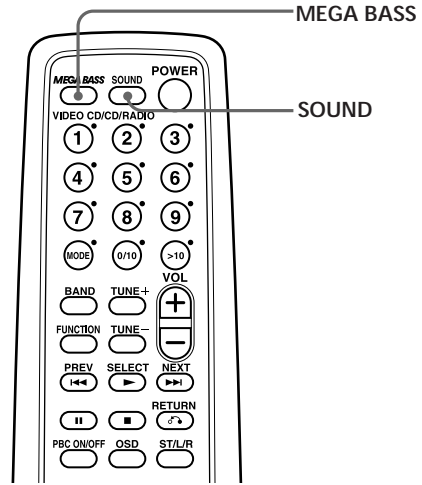
Replacing batteries

With normal use, the batteries should last for about six months. When the remote no longer operates the player, replace all the batteries with new ones.

Selecting the audio emphasis

(Sound Mode/MEGA BASS)

You can adjust the audio emphasis of the sound you are listening to.



Selecting the sound characteristic

Press SOUND to select the audio emphasis you want.

Choose	To get
	powerful, clean sounds, emphasizing low and high range audio
	percussive sounds, emphasizing bass audio
	the presence of vocals, stressing middle range audio
	the whole dynamic range for music such as classical music
	light, bright sounds emphasizing high and middle range audio

Reinforcing the bass sound

Press MEGA BASS.

"MEGA BASS" appears in the display. To return to normal sound, press the button again.

Precautions

On safety

- As the laser beam used in the CD player section is harmful to the eyes, do not attempt to disassemble the casing. Refer servicing to qualified personnel only.
- Should any solid object or liquid fall into the player, unplug the player, and have it checked by qualified personnel before operating it any further.

On power sources

- The player is not disconnected from the AC power source (mains) as long as it is connected to the wall outlet, even if the player itself has been turned off.
- When the batteries are not to be used, remove them to avoid damage that can be caused by battery leakage or corrosion.
- The nameplate indicating operating voltage, power consumption, etc. is located at the rear.

On placement

- Do not leave the player in a location near heat sources, or in a place subject to direct sunlight, excessive dust or mechanical shock.
- Do not place the player on an inclined or unstable place.
- Do not place anything within 10 mm of the side of the cabinet. The ventilation holes must be unobstructed for the player to operate properly and prolong the life of its components.

- If the player is left in a car parked in the sun, be sure to choose a location in the car where the player will not be subjected to the direct rays of the sun.
- Since a strong magnet is used for the speakers, keep personal credit cards using magnetic coding or spring-wound watches away from the player to prevent possible damage from the magnet.

On operation

- If the player is brought directly from a cold to a warm location, or is placed in a very damp room, moisture may condense on the lens inside the CD player section. Should this occur, the player will not operate properly. In this case, remove the CD and wait about an hour for the moisture to evaporate.
- If the player has not been used for a long time, set it in the playback mode to warm it up for a few minutes before inserting a cassette.

If you have any questions or problems concerning your player, please consult your nearest Sony dealer.

Notes on CDs

- Before playing, clean the CD with a cleaning cloth. Wipe the CD from the center out.

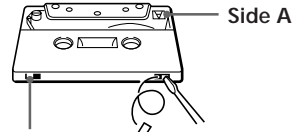


- Do not use solvents such as benzine, thinner, commercially available cleaners or anti-static spray intended for vinyl LPs.
- Do not expose the CD to direct sunlight or heat sources such as hot air ducts, nor leave it in a car parked in direct sunlight as there can be a considerable rise in temperature inside the car.
- Do not stick paper or sticker on the CD, nor scratch the surface of the CD.
- After playing, store the CD in its case.

If there is a scratch, dirt or fingerprints on the CD, it may cause tracking error.

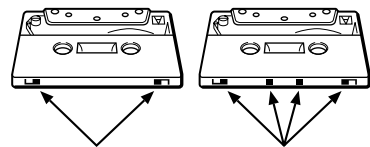
Notes on cassettes

- Break off the cassette tab from side A or B to prevent accidental recording. If you want to reuse the tape for recording, cover the broken tab with adhesive tape.





- To record on a tape with its tab broken off, cover the respective tab hole for side A or B with adhesive tape.

Take care not to cover the detector slots on TYPE II (high position) or TYPE IV (metal) cassettes. If the slots are covered, the automatic tape selection system will not operate correctly.



- The use of a cassette with more than 90 minutes of play time is not recommended except for long, continuous recording or playback.

Troubleshooting

	Symptom	Remedy
General	The power is not on.	<ul style="list-style-type: none"> • Connect the AC power cord to a wall outlet securely. • Set the MAIN POWER switch on the side of the player to ON.
	There is no audio.	<ul style="list-style-type: none"> • Make sure that the speakers are connected correctly. • Make sure the function you want to use appears in the display. • Adjust the volume. • Unplug the headphones when listening through speakers.
	"no disc" lights in the display even when a CD is in place.	<ul style="list-style-type: none"> • Insert the CD with the label surface up.
CD Player (audio CD)	The CD does not play.	<ul style="list-style-type: none"> • Make sure that the CD compartment is closed. • Place the CD with the label surface up. • Clean the CD. • Take out the CD and leave the CD compartment open for about an hour to dry moisture condensation. • Make sure "CD" appears in the display.
	The sound drops out.	<ul style="list-style-type: none"> • Reduce the volume. • Clean the CD, or replace it if the CD is badly damaged • Place the player in a location free from vibration.
	The sound seems to lose the stereo effect and becomes monaural.	<ul style="list-style-type: none"> • Press ST/L/R repeatedly until "STEREO" appears on the TV screen.
CD Player (VIDEO CD)	No picture appears on the TV screen.	<ul style="list-style-type: none"> • Make sure the TV is turned on. • Make sure you select the correct video input on the TV. • Connect the video connecting cord correctly. • An audio CD is being played. • Close the lid of the player. • Make sure the following mark is on the CD.
		<div style="display: flex; justify-content: space-around; align-items: center;"> <div style="text-align: center;">  <p>COMPACT disc DIGITAL VIDEO</p> </div> <div style="text-align: center;">  <p>VIDEO CD</p> </div> </div> <ul style="list-style-type: none"> • You may not play back some illegally duplicated CDs even though they have the above mark printed. In this case, consult the shops where you bought the CDs.

	Symptom	Remedy
CD Player (VIDEO CD)	Picture is distorted	<ul style="list-style-type: none"> • When you pause or use search, picture is distorted. This is not a malfunction. • The CD is defective. Replace the CD. • The CD is dirty. Clean the CD. • The color system you have selected for this player is not the same as the one the CD is recorded with.
	Picture is blurred or becomes monochrome.	<ul style="list-style-type: none"> • Check the setting of the COLOR SYSTEM selector.
Radio	The audio is weak or has poor quality.	<ul style="list-style-type: none"> • Move the player away from the TV. • If you are using the remote while listening to AM radio, noise may be heard. This is unavoidable.
	The picture of your TV becomes unstable.	<ul style="list-style-type: none"> • If you are listening to an FM program near the TV with an indoor antenna, move the player away from the TV.
Tape Player	The tape does not move when you press an operation button.	<ul style="list-style-type: none"> • Close the tape compartment securely.
	The REC α button does not function/The tape does not play.	<ul style="list-style-type: none"> • Make sure the safety tab on the cassette is in place. • Make sure "TAPE" appears in the display.
	The tape does not erase completely.	<ul style="list-style-type: none"> • Clean the erasing head (see page 37.)
	The tape does not record.	<ul style="list-style-type: none"> • Make sure the tape is inserted properly. • Make sure the safety tab of the cassette is in place.
	The audio is weak/The audio quality is poor.	<ul style="list-style-type: none"> • Clean the heads, pinch roller and capstan (see page 37). • Demagnetize the heads using a demagnetizer (see page 37).
	The sound is distorted.	<ul style="list-style-type: none"> • A TYPE IV (metal) tape was used when recording with this player. α Record on TYPE I (normal) or TYPE II (high position) tapes only.

continued

Troubleshooting (continued)

	Symptom	Remedy
Remote	The remote does not function.	<ul style="list-style-type: none">• Replace all the batteries in the remote with new ones if they are weak.• Make sure that you are pointing the remote at the remote sensor on the player.• Remove any obstacles in the path of the remote and the player.• Make sure the remote sensor is not exposed to strong light such as direct sunlight or fluorescent lamp light.• Move closer to the player when using the remote.

After trying the above remedies, if you still have problems, unplug the AC power cord. After all the indications in the display disappear, plug the power cord. If the problem persists, please consult your nearest Sony dealer.

Maintenance

Cleaning the lens

If the lens becomes dirty, it may cause a skipping of sound during CD operation. Clean with a commercially available blower.

Cleaning the tape heads and tape path

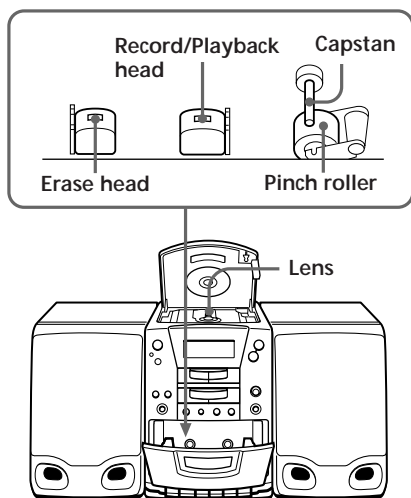
Wipe the heads, the pinch roller and the capstan with a cleaning swab slightly moistened with cleaning fluid or alcohol after every 10 hours of operation for optimum playback and recording quality. To make the best possible recording, however, we recommend that you clean all surfaces over which tape travels before each recording.

Demagnetizing the tape heads

After 20 to 30 hours of use, enough residual magnetism will have built up on the tape heads to begin to cause loss of high frequency sound and hiss. At this time, you should demagnetize the heads and all metal parts in the tape path with a commercially available tape head demagnetizer.

Cleaning the cabinet

Clean the cabinet, panel and controls with a soft cloth slightly moistened with a mild detergent solution. Do not use any type of abrasive pad, scouring powder, or solvent, such as alcohol or benzine.



After cleaning, insert a tape when the areas cleaned are completely dry.

Specifications

CD player section

System

Compact disc digital audio/video system

Laser diode properties

Material: GaAlAs

Wave length: 780 nm

Emission duration: Continuous

Laser output: Less than 44.6 μ W

(This output is the value measured at a distance of about 200 mm from the objective lens surface on the optical pick-up block with 7 mm aperture.)

Spindle speed

200 r/min (rpm) to 500 r/min (rpm) (CLV)

Number of channels

2

Frequency response

20 - 20,000 Hz +1/-2 dB

Wow and flutter

Below measurable limit

Color system format

NTSC, PAL

Radio section

Frequency range

FM: 87.6 - 108 Hz

AM: 531 - 1,602 kHz

Aerials

FM: Wire aerial

AM: External aerial

Cassette-corder section

Recording system

4-track 2 channel stereo

Fast winding time

Approx. 120 s (sec.) with Sony cassette C-60

Frequency response

TYPE I (normal): 80 - 14,000 Hz

TYPE II (high position): 80 - 15,000 Hz

General

Speaker

Full range: 10 cm (4 in.) dia., 6 ohms, cone type

Tweeter: 2 cm ($\frac{1}{2}$ in.) dia.

Inputs

Mixing microphone input jack (minijack):

Sensitivity 2.5 mV

For 16 - 68 ohms impedance headphones

Outputs

Headphones jack (stereo minijack)

For 16 - 64 ohms impedance headphones

Video output (phono jack)

Output level 1 V p-p at 75 ohms

Recommended load impedance over 75 ohms

Maximum power output

30 W + 30 W

Power requirements

For CD radio cassette-corder

230 V AC, 50 Hz

For remote control:

3 V DC, 2 R6 (size AA) batteries

Power consumption

AC 55 W

Dimensions (incl. projecting parts and controls)

Player: Approx. 160 \times 237 \times 292.5 mm (w/h/d)

(6 $\frac{3}{8}$ \times 9 $\frac{3}{8}$ \times 11 $\frac{5}{8}$ inches)

Speaker: Approx. 150 \times 230 \times 240 mm (w/h/d)

(6 \times 9 $\frac{1}{8}$ \times 8 $\frac{1}{2}$ inches)

Mass

Player: Approx. 4.9 kg (10 lb 13 oz)

Speaker: Approx. 2.2 kg (4 lb 14 oz)

Supplied accessories

Remote control (1)

AM loop aerial (1)

Video cord (1)

Design and specifications are subject to change without notice.

Optional accessories

Sony MDR headphones series

Glossary

PBC Playback

Playback using the menus* recorded on VIDEO CDs with PBC functions. You can enjoy simple interactive operations using the PBC Playback.

Playback Control (PBC)

Signals encoded on VIDEO CDs (Version 2.0) to control playback.

By using menus* recorded on VIDEO CDs with PBC functions, you can enjoy playing simple interactive software, software with search functions, and so on. When you insert a VIDEO CD with PBC functions on this player, "PBC" appears on the display.

VIDEO CD

A compact disc containing moving pictures. Picture data is compressed to 1/120th of the original data in the MPEG 1 format (one of the worldwide standards of digital compression technologies) and recorded on a disc.

A 12 cm VIDEO CD can reproduce up to 74 minute's length of moving pictures. Audio data is also compressed so that a VIDEO CD can contain 6 times as much audio data as an audio CD.

There are 2 versions of VIDEO CDs.

- Version 1.1: You can play only moving pictures and sounds.
- Version 2.0: You can play still pictures* and enjoy PBC functions.

* Please note that what you can do with the Version 2.0 VIDEO CD differs according to the CD you use.

Index

A

Audio emphasis 31

B

Batteries
for remote 30

C

CD player 14
Cleaning
cabinet 37
lens 37
tape heads and tape
path 37
Creating your own program
18

D, E, F, G

Demagnetizing the tape
heads 37
Display 14

H

Hooking up
power cord 29
speakers 28

I, J

Improving broadcast
reception 9

K

KARAOKE 27

L

Listening to the radio 8
Locating a specific track
15, 22

M, N, O

MEGA BASS 31

P, Q

PA system 26
Playing
a tape 10
a multiplex CD 20
a VIDEO CD 6
a VIDEO CD with PBC
functions 23
an audio CD 4
preset radio stations 25
tracks repeatedly 16
PBC 2, 23, 39
Power sources 28
Presetting radio stations 24
Program Play 18
Public address system.
See PA system

R

Radio stations
playing 25
presetting 24
Recording on a tape 12
Repeat Play 16

S

Selecting
audio emphasis 31
tracks 5
Setting up 28
SOUND 31

T

Tape player 26
Troubleshooting 34

U, V, W, X, Y, Z

Using
as a PA system 26
the display 14