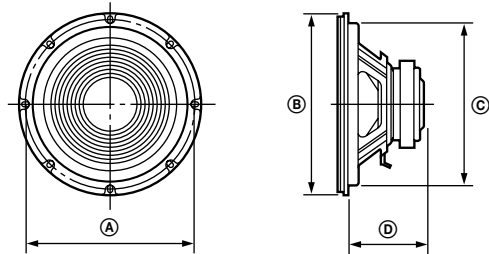


**Specifications**

XS-L12G  
 Speaker Woofer 30 cm (12 in.), cone type  
 Maximum input power 450 watts  
 Rated input power 150 watts  
 Impedance 4 ohms  
 Sensitivity 89 dB/W/m  
 Frequency response 20 - 3,000 Hz  
 Mass Approx. 5.5 kg per speaker

**Dimensions**

Unit: mm

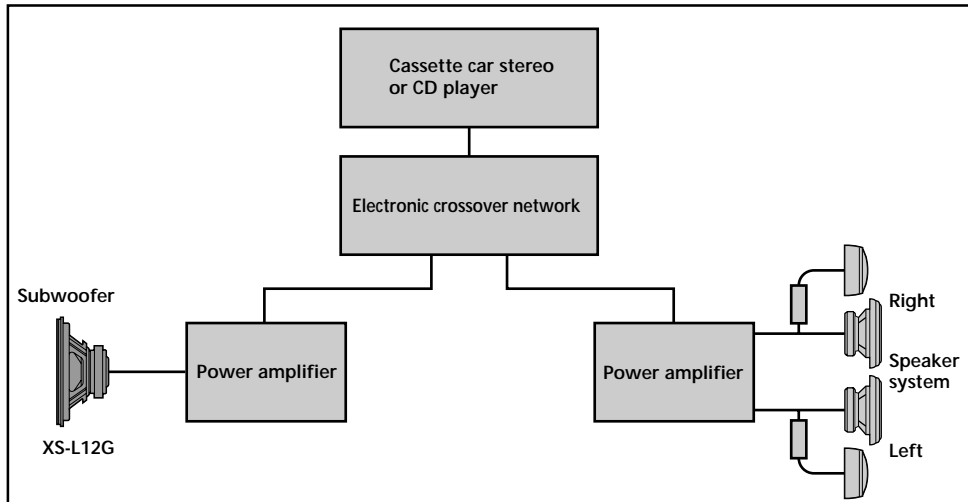


	A	B	C	D
XS-L12G	φ294	φ310	φ280	122

**Subwoofer**

Installation/Connections

**Connections**



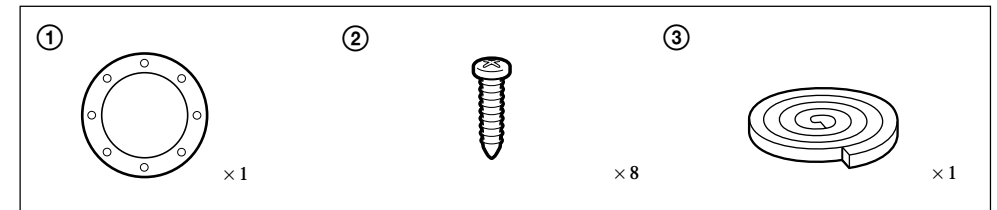
XS-L12G

# Installation

## Precautions

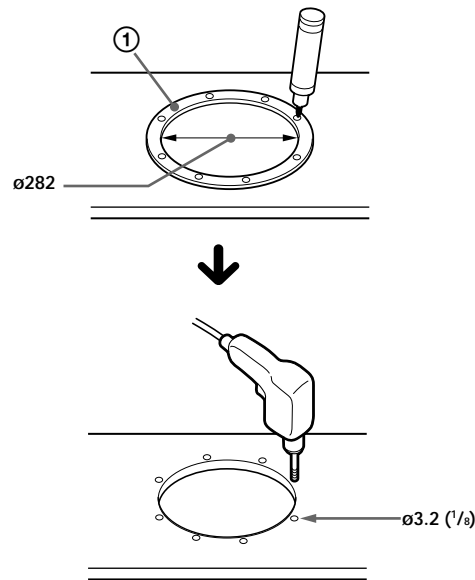
- Be careful not to drive the speaker system continuously with the power exceeding the power handling capacity.
- Keep recorded tapes, watches, and personal credit cards using magnetic coding away from the speaker system to prevent their possible damage caused by the magnets in the speakers.
- When installing the unit, be careful not to damage the diaphragm by hand or tools.
- The subwoofer is heavy, so attach it firmly to a solid thick, baffle plate or metal board.

## Parts for installation and connections



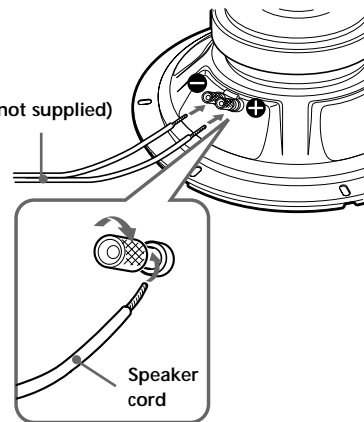
1

Unit: mm

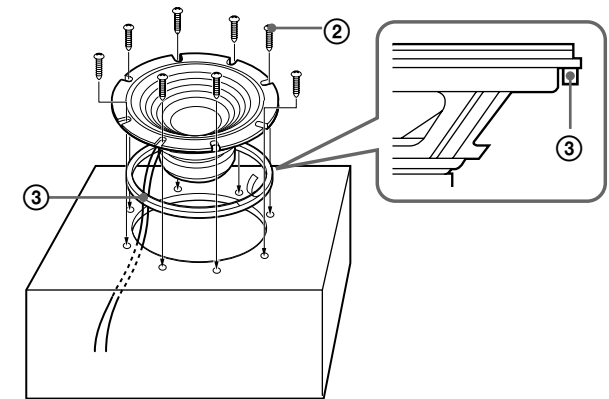


2

Speaker cord (not supplied)



3



In separate enclosures

