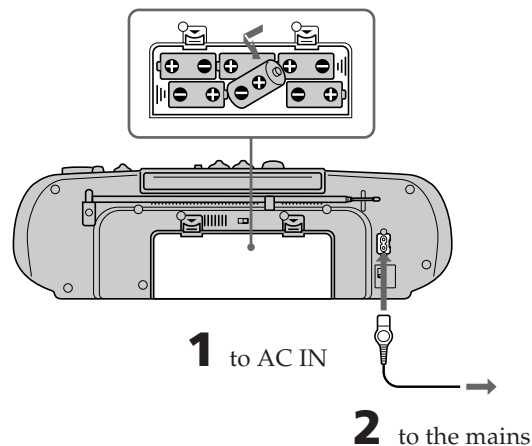


Choosing Power Sources

To use the player on AC power source (mains)

Connect the supplied mains lead to the AC IN jack.

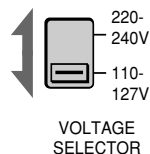


To use the player on batteries

Insert six R20 (size D) batteries (not supplied) into the battery compartment.

To adjust the voltage

Be sure to set the VOLTAGE SELECTOR (at the rear) to your local power supply.



Tip

For customers supplied with an AC plug adaptor, use it if the plug of the mains lead does not match your mains.

Notes

- To use the player on batteries, disconnect the mains lead from the player.
- Replace the batteries when the OPR/BATT indicator dims or when the player stops operating. Replace all the batteries with new ones.

SONY®

Radio Cassette- Corder

Operating Instructions

CFS-B7SJMK2

Sony Corporation © 1999
Printed in Japan

3-865-191-53(1)

WARNING

To prevent fire or shock hazard, do not expose the player to rain or moisture.
To avoid electrical shock, do not open the cabinet. Refer servicing to qualified personnel only.

Do not install the appliance in a confined space, such as a bookcase or built-in cabinet.

To prevent fire or shock hazard, do not place objects filled with liquids, such as vases, on the appliance.

The FUNCTION selector is located at the top panel. When you turn on the player, the OPR/BATT indicator lights up.

Precautions

On safety/power sources

- Should any solid object or liquid fall into the player, unplug the player and have it checked by qualified personnel before operating it any further.
- For AC operation, check that the player's operating voltage is identical with your local power supply (see "Specifications") and use the supplied mains lead; do not use any other type. The voltage selector is located at the rear of the player.
- The player is not disconnected from the AC power source (mains) as long as it is connected to the mains, even if the player itself has been turned off.
- For battery operation, use six R20 (size D) batteries.
- When the batteries are not to be used, remove them to avoid damage that can be caused by battery leakage or corrosion.
- The nameplate indicating operating voltage, power consumption, etc., is located on the bottom.

On placement/operation

- Do not leave the player in a location near heat sources, or in a place subject to direct sunlight, excessive dust or mechanical shock.
- Do not place anything within 10 mm of the side of the cabinet. The ventilation holes must be unobstructed for the player to operate properly and to prolong the life of its components.
- Since a strong magnet is used for the speakers, keep personal credit cards using magnetic coding or spring-wound watches away from the player to prevent possible damage from the magnet.
- If the player has not been used for a long time, set it in the playback mode to warm it up for a few minutes before inserting a cassette.

If you have any questions or problems concerning your player, please consult your nearest Sony dealer.

Troubleshooting

There is no audio.

- Connect the mains lead securely.
- Insert the batteries properly.
- Replace all the batteries if they are weak.
- Unplug the headphones.
- Adjust the volume.
- Set FUNCTION to the position you want to operate.

Cassette cannot be inserted.

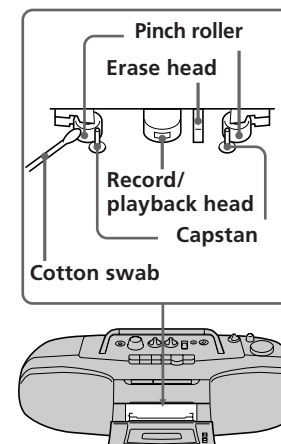
- Insert the cassette properly.
- Press ■▲ STOP/EJECT to release.

The ● REC button does not function.

- No cassette in the tape compartment.
- Make sure the safety tab on the cassette is in place.

Poor playback, recording or erasing quality.

- Dirty heads. Clean the unit (as shown) with a cotton swab slightly moistened with cleaning fluid or alcohol.
- Demagnetize the heads and all metal parts in the tape path with a commercially available head demagnetizer.



Specifications

Frequency range

FM:
Saudi Arabia 87.6–107 MHz
Other countries 87.6–108 MHz
MW: 530–1,605 kHz
SW1: 2.3–7 MHz
SW2: 7–22 MHz

Aerials

FM/SW: Telescopic aerial
MW: Built-in ferrite bar

Recording system

2-track, 4-channel stereo

Frequency response

70–10,000 Hz

Speakers

Full range: 10 cm (4 inches) dia.,
2.8 ohms cone type x 2

Output

Headphones jack (stereo minijack),
for 16–68 ohms impedance
headphones

Maximum Power output

2.5 W+2.5 W

Battery life

FM Recording: Sony R20P:
Approx. 16 hours/Sony LR20
alkaline: Approx. 36 hours
Playback: Sony R20P: Approx.
8 hours/Sony LR20 alkaline:
Approx. 21 hours

Power requirements

110–127 V/220–240 V AC
selectable, 50/60 Hz

Power consumption

9V DC, six R20 (size D) batteries
AC 14W

Dimensions

Approx. 500 x 155 x 164 mm
(w/h/d) (19³/₄ x 6¹/₈ x 6¹/₂
inches) incl. projecting parts and
controls, not incl. handle

Mass

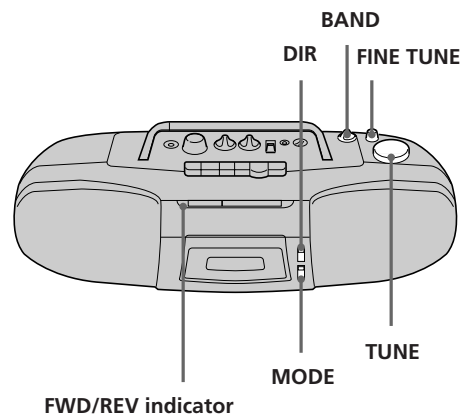
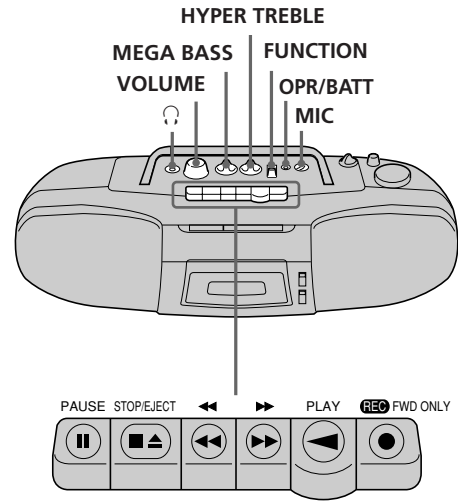
Approx. 2.7 kg (5 lb 15 oz) not
incl. batteries

Supplied accessory

Mains lead (1)

Design and specifications are
subject to change without notice.

Location of controls

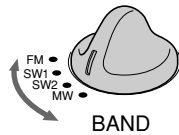


Listening to the radio

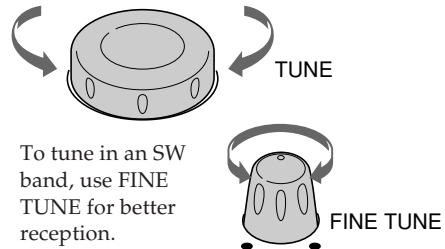
1 Set FUNCTION to RADIO.



2 Set BAND to the band you want.



3 Tune to the station you want.

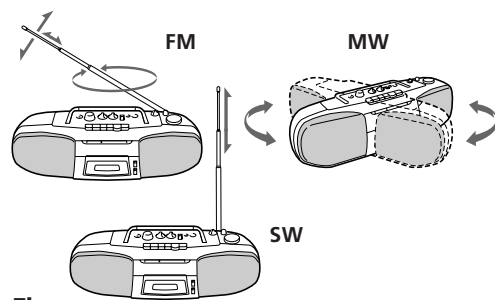


To turn off the radio

Set FUNCTION to TAPE (RADIO OFF).

To improve broadcast reception

Reorient the aerial for FM. Reorient the player itself for MW. For SW, pull the aerial vertically.



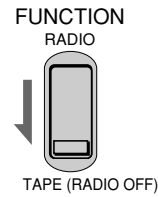
Tips

- To listen through headphones, connect the headphones to the (headphones) jack.
- For best results, place the player away from a TV.

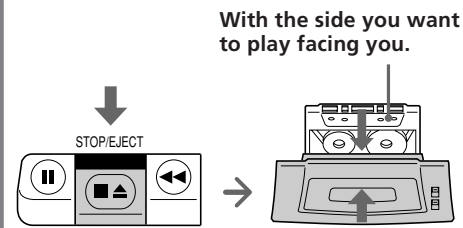
Use TYPE I (normal) tape only.

Playing a tape

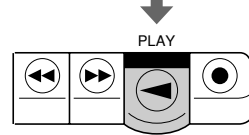
1 Set FUNCTION to TAPE (RADIO OFF).



2 Insert a recorded tape.



3 Press ◀PLAY.



To	Press
stop playback	■▲ STOP/EJECT
fast-forward or rewind the tape	◀◀ or ▶▶
pause playback	PAUSE
switch playback to the opposite side	DIR

To adjust the bass and treble

Turn MEGA BASS toward MAX to enhance the low tones, and turn HYPER TREBLE toward MAX to enhance the treble tones.

Tips

- The FWD/REV indicator shows the side being played during playback: FWD◀ (the side facing you), or REV▶ (the reverse side).
- Set MODE to ↔ to play either side, or ↻ to play both sides repeatedly.

Use TYPE I (normal) tape only.

Recording

1 To record from the radio

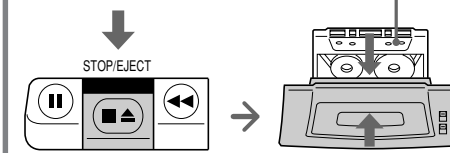
Tune to the station you want.

To record from the built-in microphone (MIC)

Set FUNCTION to TAPE (RADIO OFF).

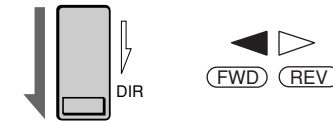
2 Insert a blank tape.

With the side you want to record on facing you.



3 Make sure the FWD◀ indicator is highlighted.

If the REV▶ indicator is highlighted instead, press the DIR lever to switch the highlight to FWD◀.

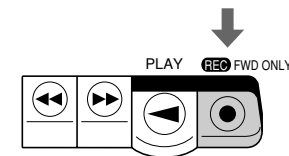


Note

The player cannot record from the reverse side of the tape (REV▶).

4 Press ●REC.

◀PLAY is depressed automatically.



To	Press
stop recording	■▲ STOP/EJECT
pause recording	PAUSE
	Press this button again to resume recording.

Tips

- For best results, use the AC power source (mains).
- Adjusting the volume or audio emphasis will not affect the recording level.

Notes

- When ●REC is pressed with MODE set to ↻, the MODE setting switches to ↔ automatically.
- When recording from the built-in microphone, the sound cannot be monitored through the headphones.

Notes on cassettes

- Break off the cassette tab from side A or B to prevent accidental recording. If you want to reuse the tape for recording, cover the tab hole with adhesive tape.



- The use of cassettes with more than 90 minutes of play time is not recommended except for long, continuous recording or playback.